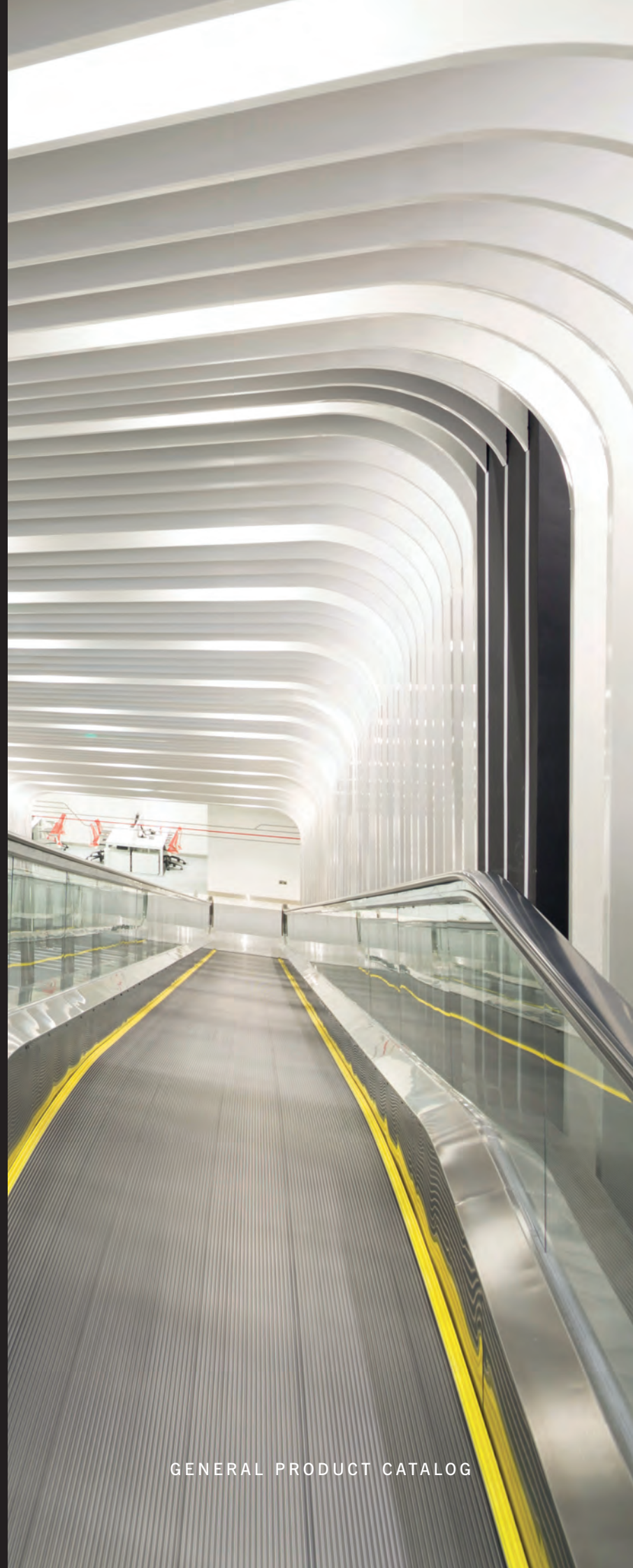


**RAM**

ARCHITECTURAL METAL



RAM METAL INDUSTRIES, L.L.C.

DUBAI INDUSTRIAL CITY  
DUBAI, U.A.E.

T: +971 4 451 8884

F: +971 4 454 7073

[www.rammetal.com](http://www.rammetal.com)

[contactus@rammetal.com](mailto:contactus@rammetal.com)

**RAM**

ARCHITECTURAL METAL

GENERAL PRODUCT CATALOG



# MAKING THE WORLD'S SPACES EXTRAORDINARY

Our vision is to advance the design and technology of architectural solutions for our clients and the world. We aim to stay at the leading edge of our industry by introducing sustainable solutions that bring light and beauty to the spaces we create.

## WHAT WE DO

RAM provides high-quality architectural metal solutions ranging from innovative metal ceilings, integrated lighting, movable decorative walls, to internal and external architectural wall cladding—creating elegant, illuminated spaces.



RAM 611 SR | RAM Metal Industries LLC | U.A.E.




RAM 240 Snap-On | Unaizah University | Saudi Arabia




RAM 910 Blade | Ahmed Seddiqi & Sons Headquarters | U.A.E.

# CEILING SYSTEMS


100 SERIES  
LINEAR



8  
Strip  
RAM 111-112




8  
Strip  
RAM 121-122




8  
Strip  
RAM 131

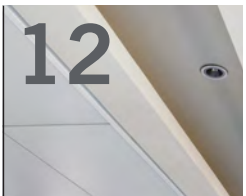
200 SERIES  
MODULAR




10  
Clip-in  
RAM 211-212



10  
Lay-in/Lay-on  
RAM 221-223




12  
Hook-on  
RAM 231




12  
Snap-on  
RAM 241


300 SERIES  
OPEN GRID



14  
Open Cell  
Continuous  
RAM 311-314

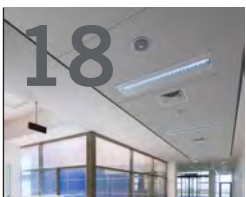


14  
Open Cell Lay-on  
RAM 321-322

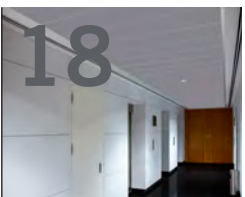


16  
Open Cell Torsion  
RAM 331


400 SERIES  
CORRIDOR SOLUTIONS



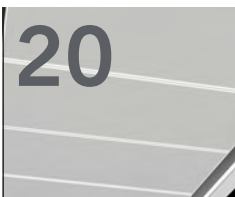
18  
Self Supported  
Hook-on  
RAM 411



18  
Self Supported  
Lay-in  
RAM 421




18  
Self Supported  
Clip-in  
RAM 431




20  
Self Supported  
Slide  
RAM 441-443


500 SERIES  
BEAM GRID



22  
Continuous/Inverted  
RAM 511-512

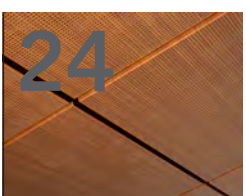


22  
Threaded/Flat  
RAM 521-522

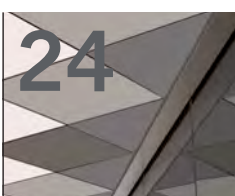


22  
Hook-on  
RAM 530

600 SERIES  
TORSION




24  
SR  
RAM 611




24  
T  
RAM 621-622

700 SERIES  
FIRE RATED



26  
F90  
RAM 711




26  
F120  
RAM 721

800 SERIES  
SECURITY




29  
High Guard  
RAM 811-812


900 SERIES  
BAFFLE




30  
Blade  
RAM 911-912




30  
Baffle  
RAM 921-922



30  
Tubular  
RAM 931-932




32  
Diaspace  
RAM 941




32  
3D  
RAM 951

1000 SERIES  
CURVED



34  
Wings  
RAM 1011



34  
Waves  
RAM 1021

1100 SERIES  
MESH



36  
Mesh  
RAM 1111-1114

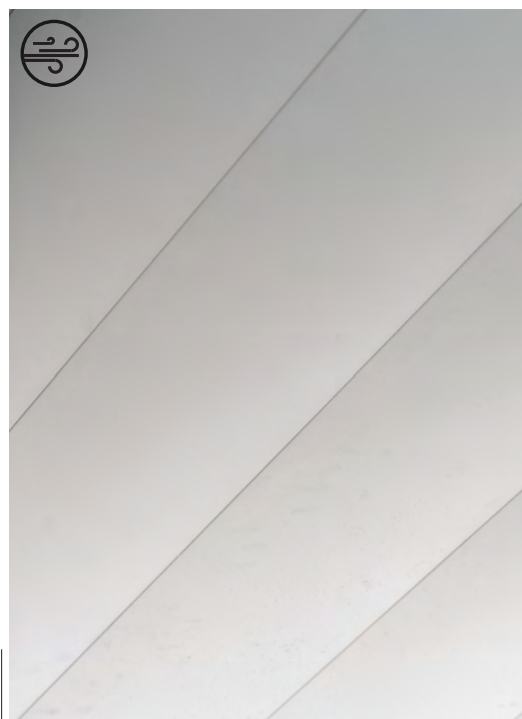
1200 SERIES  
BESPOKE



37  
Bespoke  
RAM 1211

# LINEAR

A strip ceiling system designed for internal and external application. Acoustics performance for internal system. Easy accessibility to ceiling void. Offered in a wide range of sizes, colors & finishes.



**110 Series**  
STRIP WITH RECESSED FILLER  
STRIP WITH FLUSH FILLER

**120 Series**  
STRIP WITH CLOSED GROOVE  
STRIP WITH BUTT JOINT

**130 Series**  
STRIP WITH V JOINT

## FEATURES

### MATERIAL / THICKNESS

Aluminum Alloy / 0.5-2.0 mm  
Zinc Plated Galvanized Steel / 0.45-1.00mm

### SURFACE FINISH

Plain / Perforated

### SIZES

MODULE WIDTHS (mm): 100/150/200/300

STRIP WIDTHS (mm): 85/135/185/285

FILLER STRIP WIDTH: 15mm

PANEL DEPTH: 15mm

### EDGE DETAIL:

RAM 111: Square  
RAM 112: Rounded

## FEATURES

### MATERIAL / THICKNESS

Aluminum Alloy / 0.45-0.8 mm  
Zinc Plated Galvanized Steel / 0.45-0.7mm

### SURFACE FINISH

Plain / Perforated

### SIZES

STRIP WIDTHS (mm):

RAM 121: 100/150/200/300

RAM 122: 200/300

PANEL DEPTH: 15mm

### EDGE DETAIL:

RAM 121: Closed Groove (20mm)

RAM 122: Square Butt Joint

## FEATURES

### MATERIAL / THICKNESS

Aluminum Alloy / 0.7-0.8 mm  
Zinc Plated Galvanized Steel / 0.7-0.8mm

### SURFACE FINISH

Plain / Perforated

### SIZES

STRIP WIDTH (mm): 200/300/400

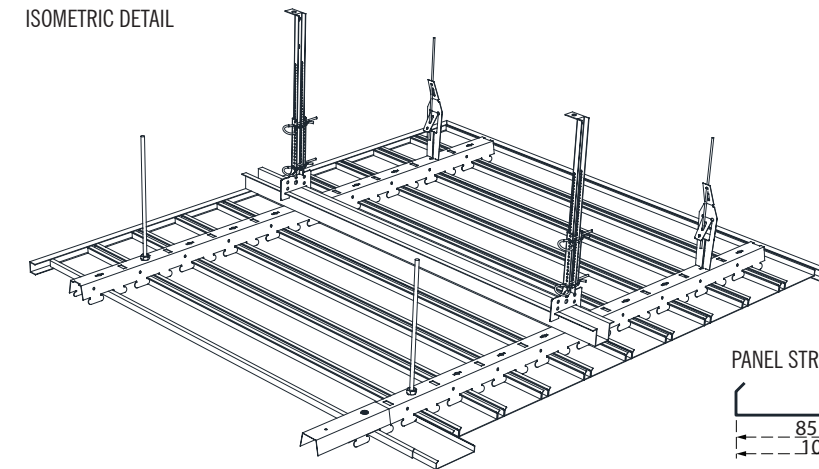
PANEL DEPTH: 33mm

EDGE DETAIL: Closed V

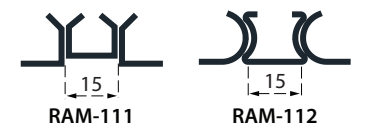


## RAM 111 STRIP WITH RECESSED FILLER RAM 112 STRIP WITH FLUSH FILLER

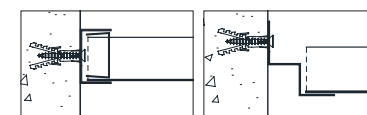
ISOMETRIC DETAIL



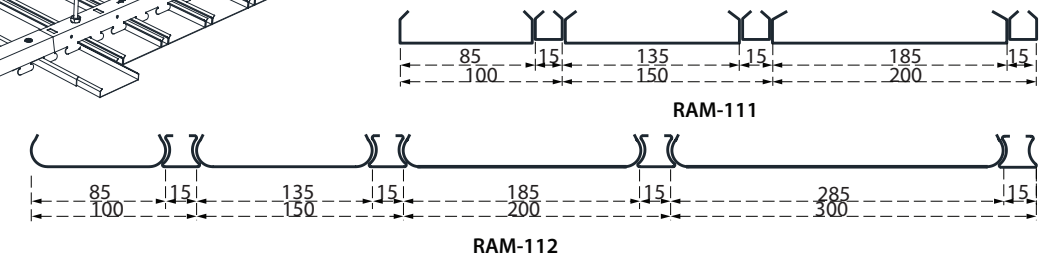
PANEL FILLER STRIP CONFIGURATION



PERIMETER OPTIONS

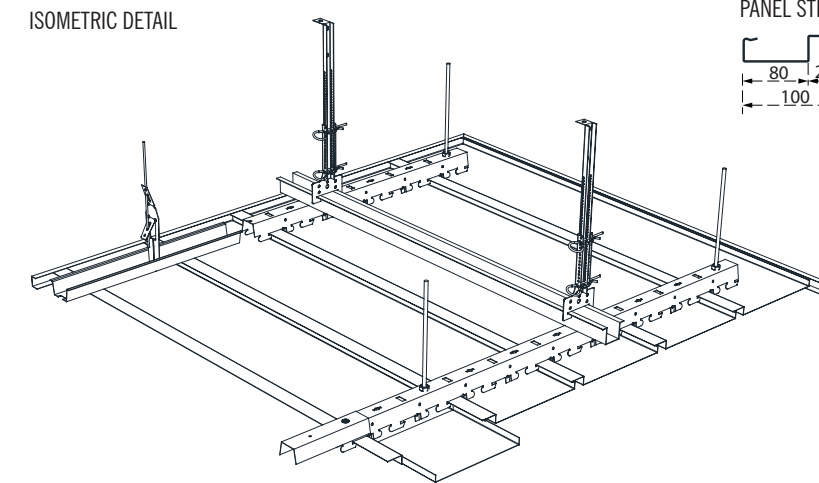


PANEL STRIP MODULE

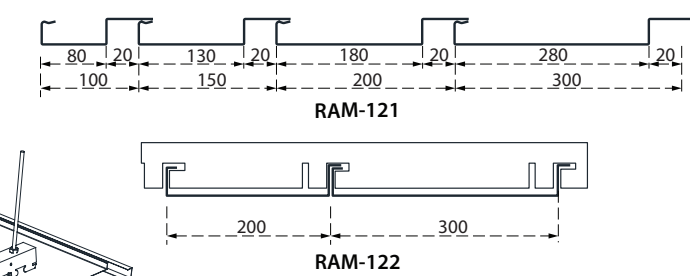


## RAM 121 STRIP WITH CLOSED GROOVE RAM 122 STRIP WITH BUTT JOINT

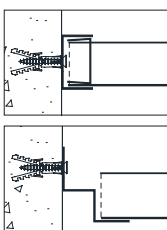
ISOMETRIC DETAIL



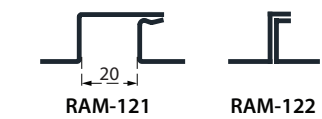
PANEL STRIP MODULES



PERIMETER OPTIONS

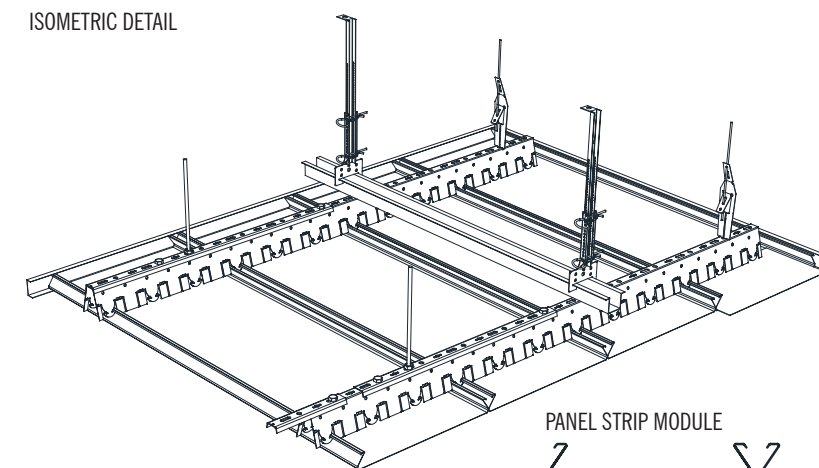


JOINT DETAIL



## RAM 131 STRIP WITH V JOINT

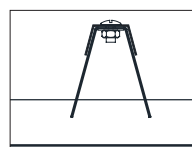
ISOMETRIC DETAIL



JOINT DETAIL



REINFORCEMENT DETAIL



PERIMETER OPTIONS

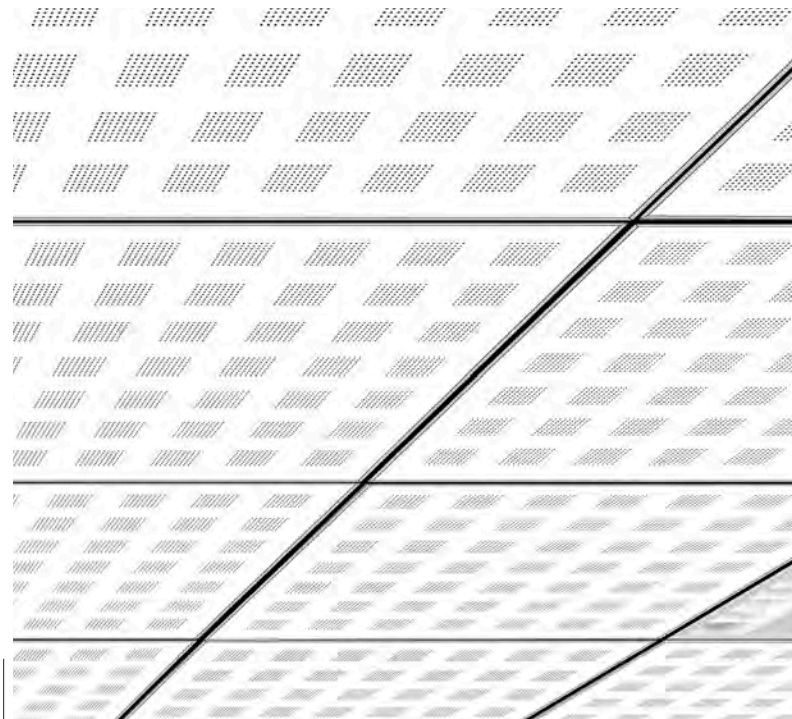


PANEL STRIP MODULE



# MODULAR

Modular type ceiling that is designed for internal application. Clip-in is fully demountable with downward accessibility / hinge down accessibility using panel removal access key tool. Lay-in is to a T-Grid (15mm/24mm) with exposed suspension system & revealed / non revealed / flush panel edges. Lift upwards out from grid to gain ceiling void access. Offered in a wide range of sizes, colors & finishes.



## 210 Series

CLIP-IN  
CLIP-IN/HINGEDOWN

### FEATURES

#### MATERIAL / THICKNESS

Aluminum Alloy as per EN AW 3000 or 5000 series / 0.5mm to 0.8mm  
Zinc Plated Galvanized Steel G90 grade / 0.45mm to 0.7mm

#### SURFACE FINISH

Plain / Perforated

#### SIZES (mm)

Panel Joint Details	RAM 211		RAM 212	
	•	•	•	•
Square / 5 mm Beveled / 3mm Beveled	•	•	•	•
300 X 300	•	•	•	•
300 X 600	•	•	•	•
300 X 1200	•	•	•	•
600 X 600	•	•	•	•
600 X 1200	•	•	•	•
600 X 1800	•	•	•	•
1200 X 1200	•	•	•	•

\*RAM 211 –With tool key access      \*RAM 212 –With hinge down access

+ Custom Sizes available upon request

## 220 Series

LAY-IN  
GT15  
LAY-ON

### FEATURES

#### MATERIAL / THICKNESS

Aluminum Alloy as per EN AW 3000 or 5000 series / 0.5mm to 1.0mm  
Zinc Plated Galvanized Steel G90 grade / 0.5mm to 0.8mm

#### SURFACE FINISH

Plain / Perforated / Decorative Patterns

#### SIZES (mm)

Panel width	RAM 221	RAM 222	RAM 223
300 X 600	•		•
300 X 1200	•		•
600 X 600	•	•	•
600 X 1200	•		•
600 X 1800	•		•
1200 X 1200	•		•

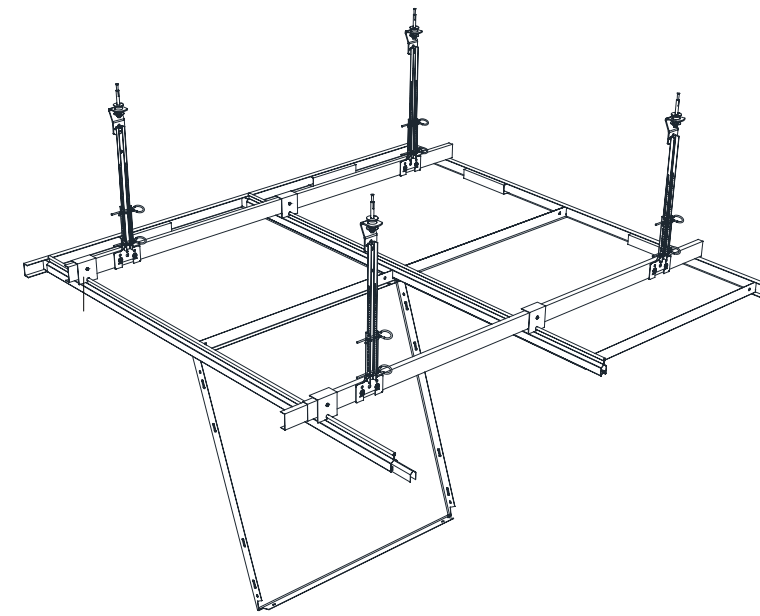
+ Custom Sizes available upon request



## RAM 211 CLIP-IN RAM 212 CLIP-IN/HINGEDOWN

Luminous Panel (optional)

### ISOMETRIC DETAIL



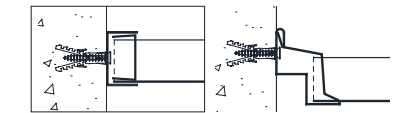
### ACCESS TOOL



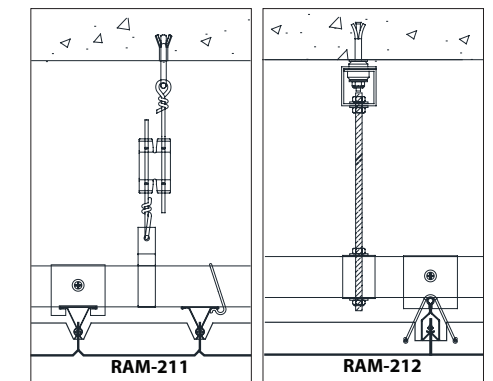
### JOINT DETAIL



### PERIMETER OPTIONS



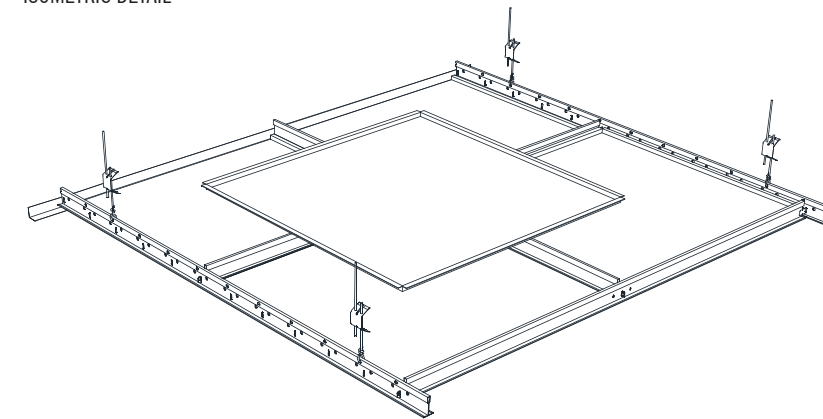
### OPTIONAL HANGING SOLUTIONS



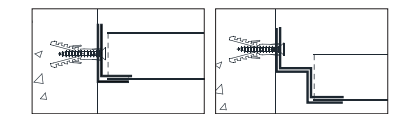
## RAM 221 LAY-IN RAM 222 GT15 RAM 223 LAY-ON

Luminous Panel (optional)

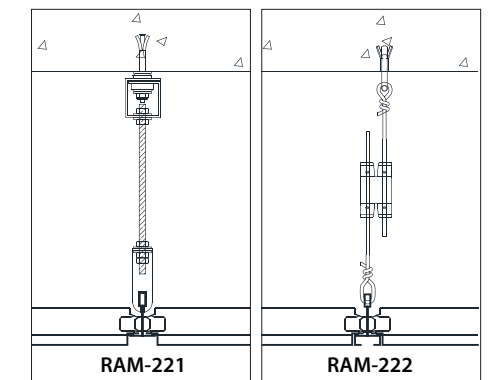
### ISOMETRIC DETAIL



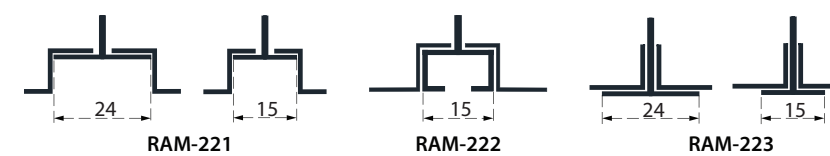
### PERIMETER OPTIONS



### OPTIONAL HANGING SOLUTIONS

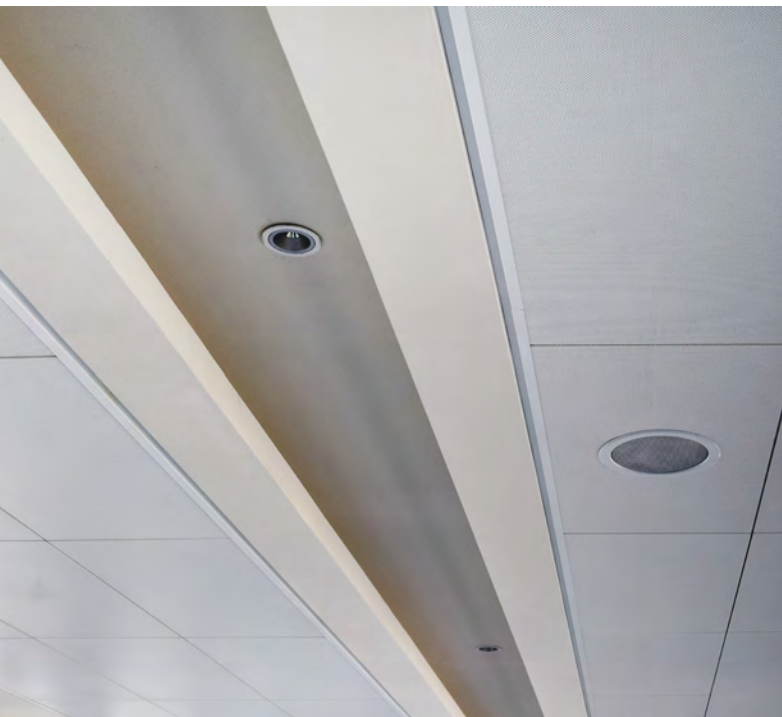


### PANEL-CARRIER JOINT DETAILS



# MODULAR

Modular type ceiling that is designed for internal or external application. Hook-on panel laid on concealed 'J' profile, lift upwards out and drop down to gain ceiling void access. Snap-On can lock the panel in to a T Grid suspension system. Fully demountable with downward accessibility by pushing the snap lock within the panel using a key tool. Offered in wide range of sizes, colors & finishes.



## 230 Series HOOK-ON

### FEATURES

#### MATERIAL / THICKNESS

Aluminum Alloy as per EN AW 3000 or 5000 series  
Zinc Plated Galvanized Steel G90 grade

#### SURFACE FINISH

Plain / Perforated / Decorative Patterns

#### SIZES

**SINGLE OR DOUBLE SKIN PANELS (mm)**  
WIDTH: 200 to 1000  
LENGTH: 500 to 3000

+ Custom sizes are available upon request

## 240 Series SNAP-ON

### FEATURES

#### MATERIAL / THICKNESS

Aluminum Alloy as per EN AW 3000 or 5000 series / 0.5mm to 0.7mm.  
Zinc Plated Galvanized Steel G90 grade / 0.45mm to 0.6mm.

+ Custom thickness are available upon request

#### SURFACE FINISH

Plain / Perforated / Decorative Patterns

#### SIZES (mm)

Panel width	RAM 241
300 x 600	•
300 x 1 200	•
300 x 600	•
600 x 1 200	•
600 x 1 800	•
1 200 x 1 200	•

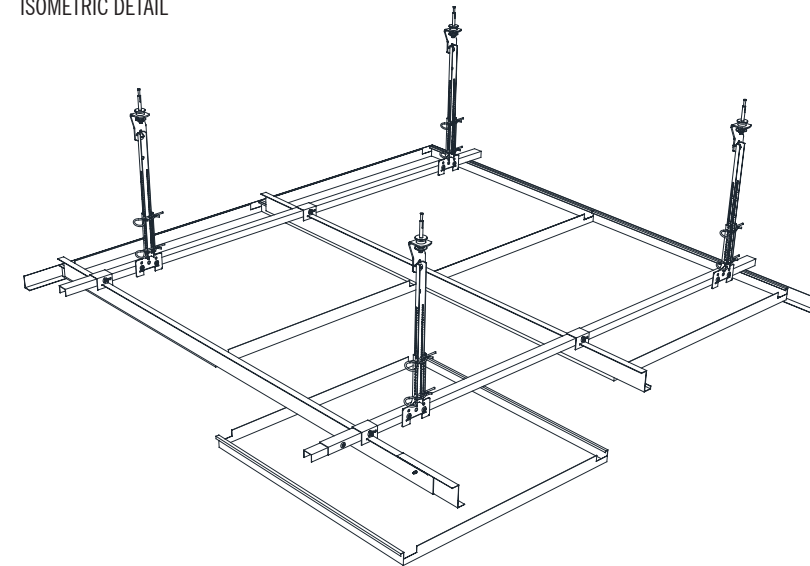
+ Custom Sizes available upon request



## RAM 231 HOOK-ON

Luminous Panel (optional)

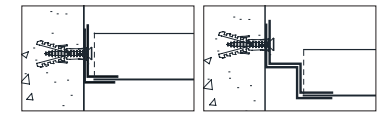
### ISOMETRIC DETAIL



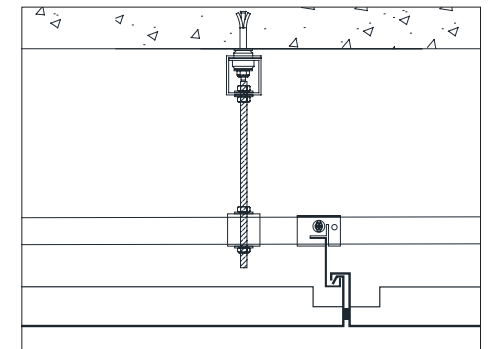
### JOINT DETAIL



### PERIMETER OPTIONS



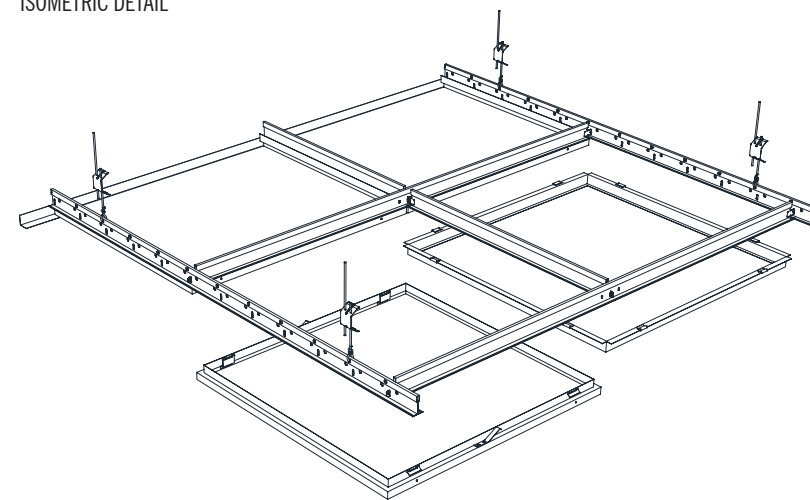
### OPTIONAL HANGING SOLUTIONS



## RAM 241 SNAP-ON

Luminous Panel (optional)

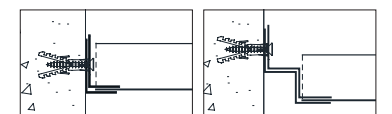
### ISOMETRIC DETAIL



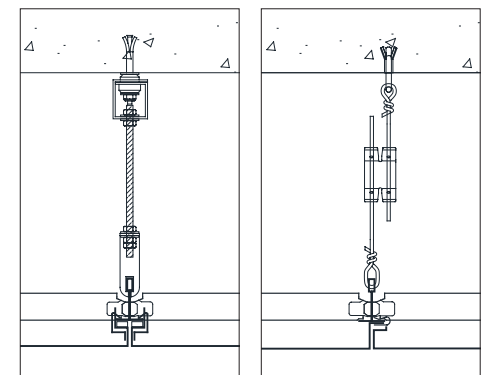
### PANEL-CARRIER JOINT DETAILS



### PERIMETER OPTIONS



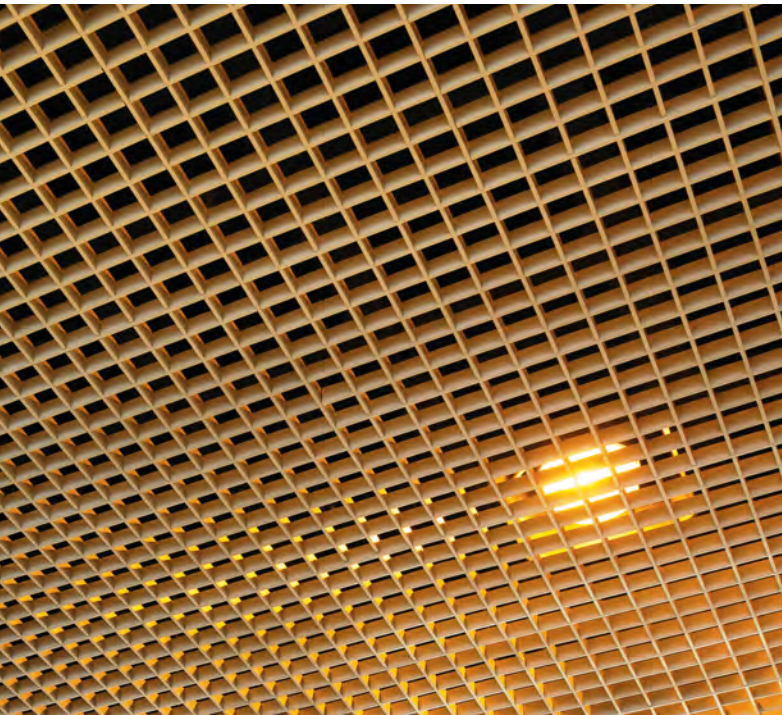
### OPTIONAL HANGING SOLUTIONS





# OPEN GRID

Series 310 is an open cell continuous type ceiling, offered in a versatile range of patterns. Series 320 is an open cell Lay On T-Grid (24mm) suspension type ceiling. Both systems are offered in a variety of cell sizes. Special boxes can be provided for MEP Services. Manufactured with roll formed Aluminium U Profiles. Panels are built with upper and lower blades that dismantle to lend easy access to ceiling void. Offered in a wide range of sizes, colors & finishes.



**310 Series**  
 SQUARE/RECTANGULAR (10MM WIDTH)  
 SQUARE/RECTANGULAR (20MM WIDTH)  
 PYRAMID (12MM WIDTH)  
 MIX

**320 Series**  
 SQUARE/RECTANGULAR (24MM WIDTH)  
 CUBE

## FEATURES

### MATERIAL / THICKNESS

Aluminum Alloy as per EN AW 3000 or 5000 series / 0.4mm to 0.8mm

### SURFACE FINISH

Plain / Perforated

### SIZES (mm)

	Cell size	Blade width	Blade height
RAM 311	50/60/75/86/100/120/150/200/300	10	40/50/55
RAM 312	75/86/100/120/150/200/300	20	50
RAM 313	75/86/100/120/150/200/300	12	42
RAM 314	50/60/75/86/100/120/150/200/300	10/20	40/50/55

+ Custom Sizes available upon request

## FEATURES

### MATERIAL / THICKNESS

Aluminum Alloy as per EN AW 3000 or 5000 series / 0.45mm to 0.7mm

### SURFACE FINISH

Plain / Perforated

### SIZES (mm)

	Cell size	Blade width	Blade height
RAM 321	75/100/120/150/200/300	24	33/50
RAM 322	100 (65 x 35)	0.70	50

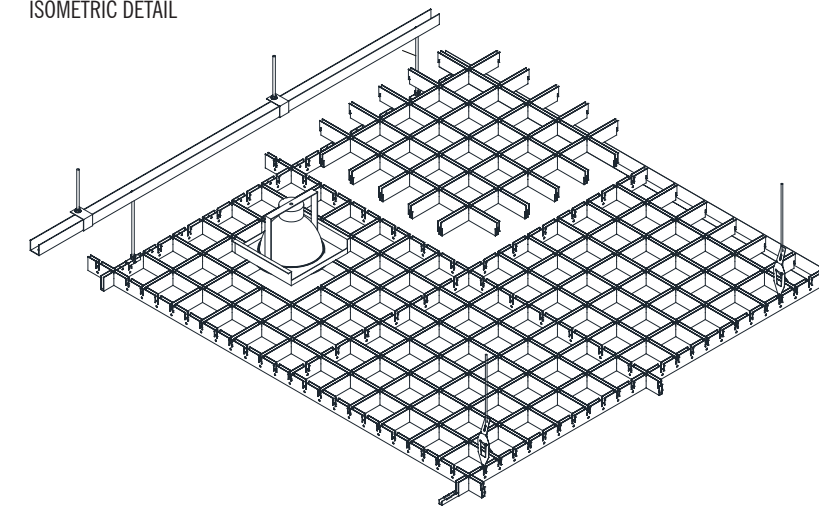
+ Custom Sizes available upon request



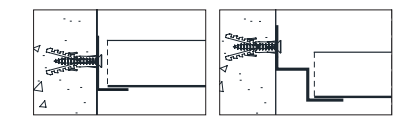
**RAM 311** SQUARE/RECTANGULAR (10MM WIDTH)  
**RAM 312** SQUARE/RECTANGULAR (20MM WIDTH)

**RAM 313** PYRAMID (12MM WIDTH)  
**RAM 314** MIX

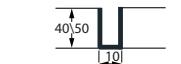
### ISOMETRIC DETAIL



### PERIMETER OPTIONS



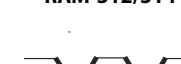
### PANEL DESIGN PATTERN



**RAM-311/314**



**RAM-312/314**

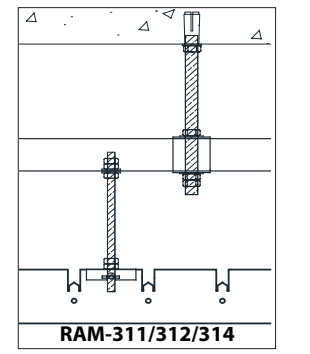


**RAM-313**



**RAM-311/312/314**

### OPTIONAL HANGING SOLUTIONS



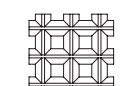
### CELL OPTIONS



**RAM-311/312**



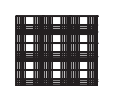
**RAM-311/312**



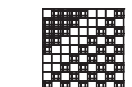
**RAM-313**



**RAM-314/1**



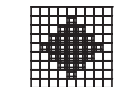
**RAM-314/2**



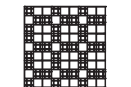
**RAM-314/3**



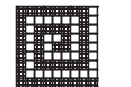
**RAM-314/4**



**RAM-314/5**



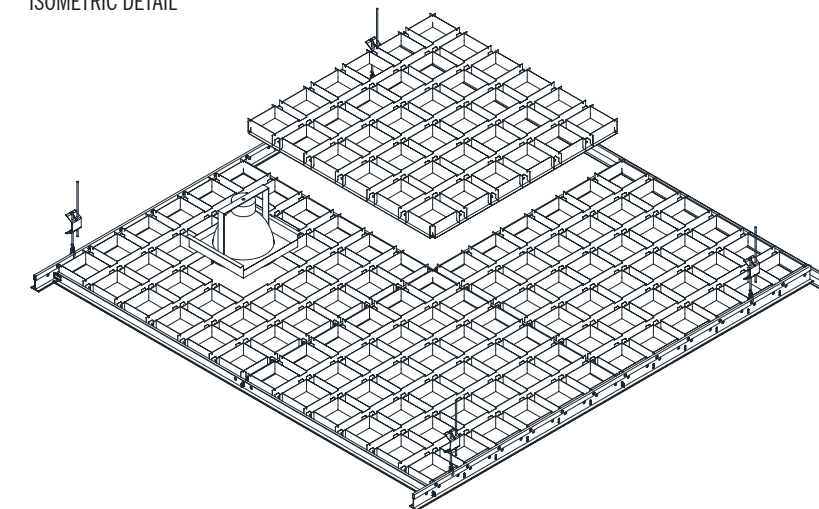
**RAM-314/6**



**RAM-314/7**

**RAM 321** SQUARE/RECTANGULAR (24MM WIDTH)  
**RAM 322** CUBE

### ISOMETRIC DETAIL



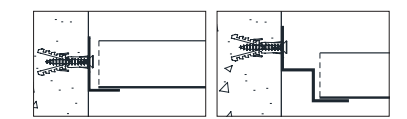
### JOINT DETAIL



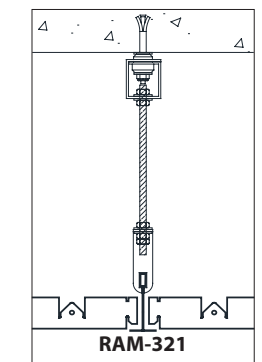
**RAM-321**

**RAM-322**

### PERIMETER OPTIONS



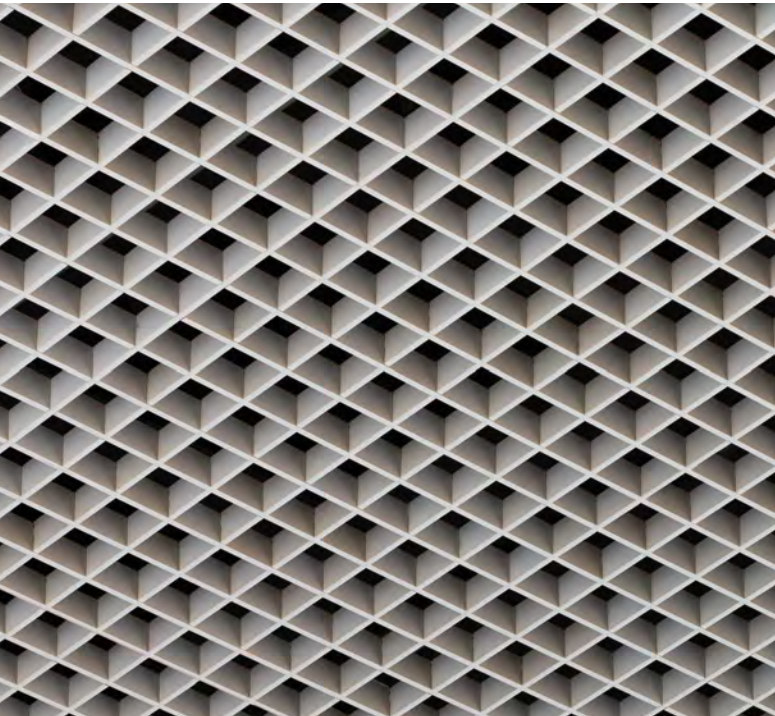
### OPTIONAL HANGING SOLUTIONS



**RAM-321**

# OPEN GRID

Open cell for high ceiling types. Offered in a variety of cell sizes and a versatile range of patterns. Special boxes can be provided for MEP Services. Ideal for exhibition centers, airports, car showrooms, & commercial establishments. Offered in a wide range of sizes, colors & finishes.



## 330 Series SQUARE/RECTANGULAR DIACELL

### FEATURES

#### MATERIAL / THICKNESS

Aluminum Alloy as per EN AW 3000 or 5000 series / 1.0mm

#### SURFACE FINISH

Plain / Perforated

#### SIZES (mm)

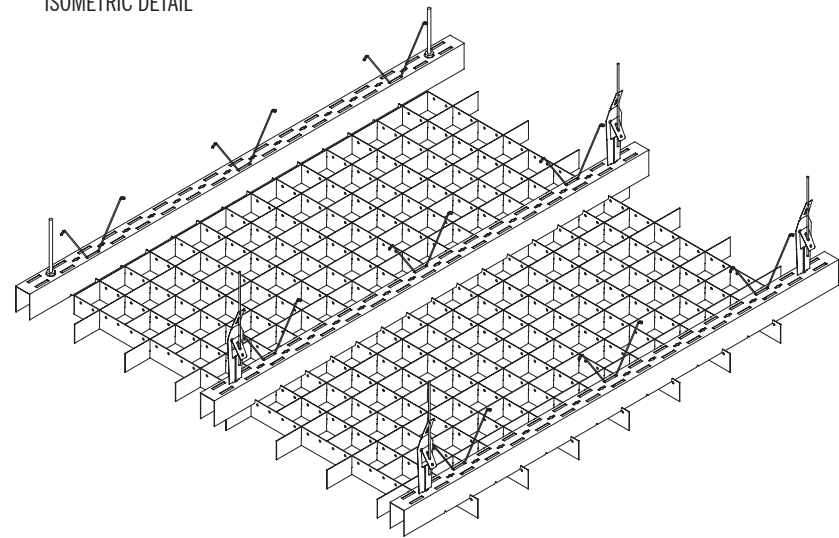
	Cell size	Blade width	Blade height
RAM 331	40/75/100/120/150/200/300	0.70-1.00	40-200

+ Custom Sizes available upon request

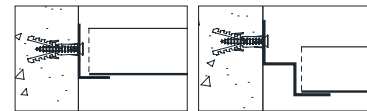


## RAM 331 SQUARE/RECTANGULAR DIACELL

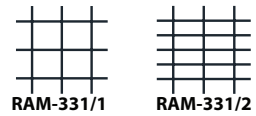
### ISOMETRIC DETAIL



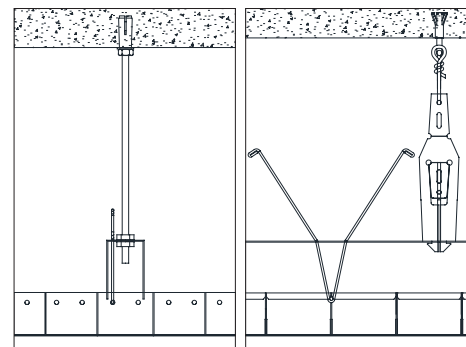
### PERIMETER OPTIONS



### CELL OPTIONS

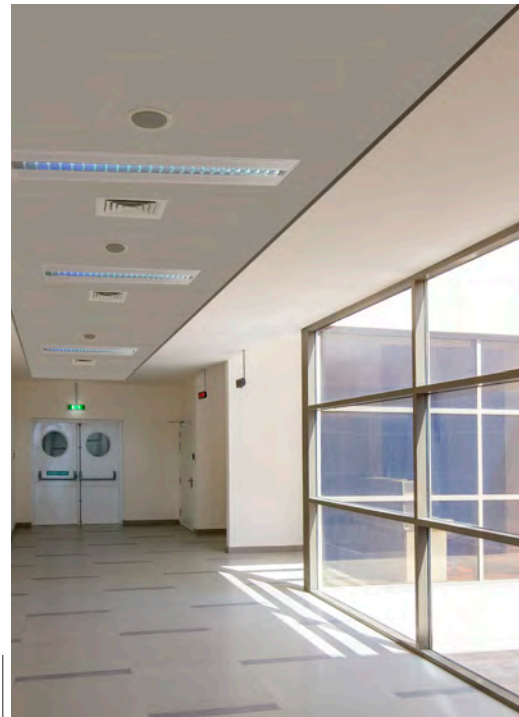
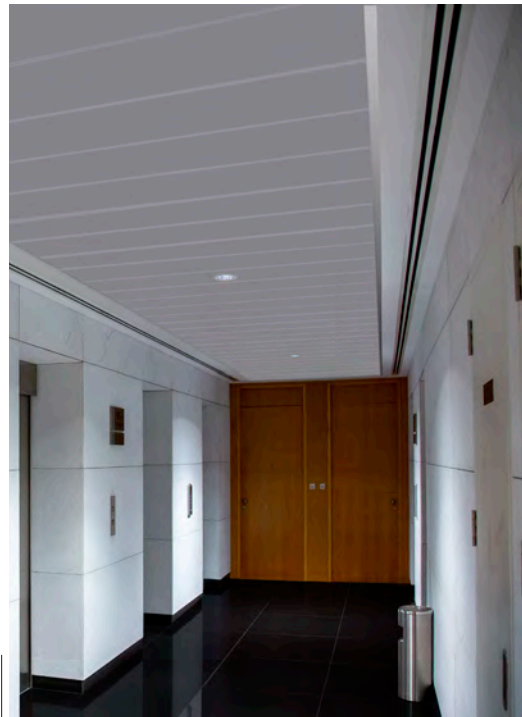


### SECTION DETAIL



# CORRIDOR SOLUTIONS

A self-supported ceiling for corridor solutions with easy accessibility to ceiling void without any intermediate support. Offered in a wide range of sizes, colors & finishes. Series 410 modular panels are laid on concealed 'J' profile which can be removed from the ceiling and easily restored. Stays hinged to one side of the corridor for damage protection. Series 420 are ideal for congested areas with ducts & other MEP services, in areas of limited ceiling drop. No suspension is required other than the "L" or "W" trim at the walls. Series 420 modular panels are clipped into concealed 'Z' profile which are demountable with downward accessibility using panel removal access key tool.



## 410 Series SELF SUPPORTED HOOK-ON

### FEATURES

#### MATERIAL / THICKNESS

Aluminum Alloy as per EN AW 3000 or 5000 series / 0.5mm to 1.0mm

Zinc Plated Galvanized Steel G90 grade / 0.5mm to 1.0mm

#### SURFACE FINISH

Plain / Perforated / Decorative Patterns

#### SIZE (mm)

**WIDTH**  
300 to 700  
**LENGTH**  
900 to 3000  
**EDGE**  
Square

## 420 Series SELF SUPPORTED LAY-IN

### FEATURES

#### MATERIAL / THICKNESS

Aluminum Alloy as per EN AW 3000 or 5000 series / 0.5mm to 0.8mm

Zinc Plated Galvanized Steel G90 grade / 0.5mm to 0.8mm

#### SURFACE FINISH

Plain / Perforated / Decorative Patterns

#### SIZE (mm)

**WIDTH**  
200 to 700  
**LENGTH**  
900 to 3000  
**EDGE**  
Square

## 430 Series SELF SUPPORTED CLIP-IN

### MATERIAL / THICKNESS

Aluminum Alloy as per EN AW 3000 or 5000 series / 0.5mm to 0.8mm

Zinc Plated Galvanized Steel G90 grade / 0.5mm to 0.8mm

### SURFACE FINISH

Plain / Perforated / Decorative Patterns

### SIZE (mm)

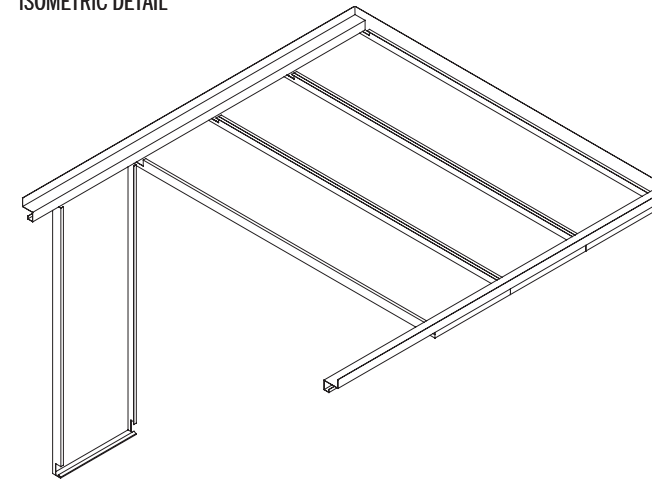
**WIDTH**  
300 to 700  
**LENGTH**  
900 to 3000  
**EDGE**  
Square



## RAM 411 HOOK-ON

Luminous Panel (optional)

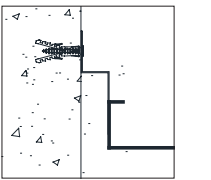
### ISOMETRIC DETAIL



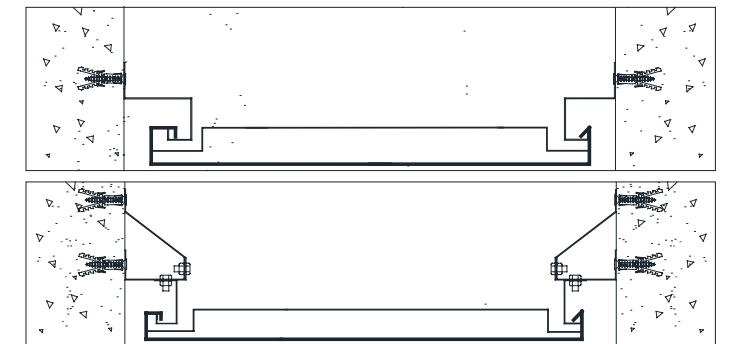
### JOINT DETAIL



### PERIMETER OPTIONS



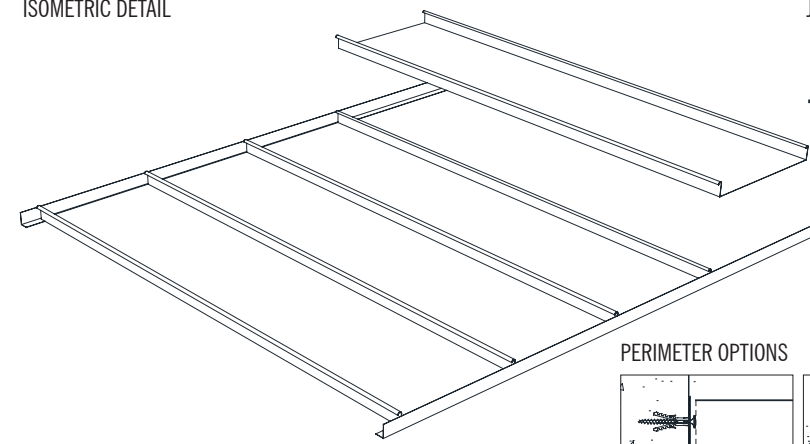
### CARRIER DETAILS



## RAM 421 LAY-IN

Luminous Panel (optional)

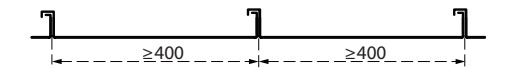
### ISOMETRIC DETAIL



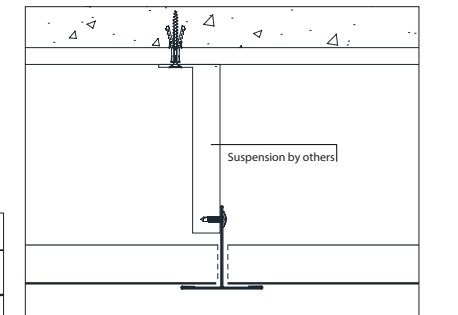
### JOINT DETAIL



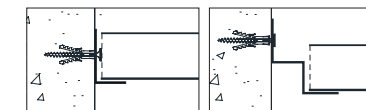
### PANEL STRIP MODULES



### T-JOINT DETAIL



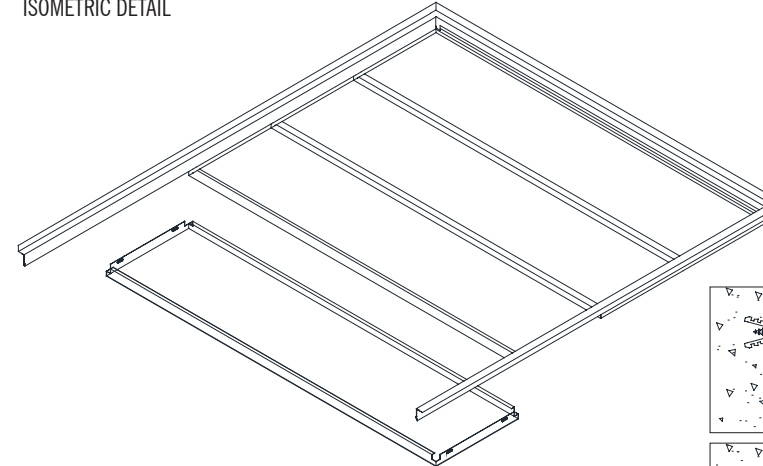
### PERIMETER OPTIONS



## RAM 431 CLIP-IN

Luminous Panel (optional)

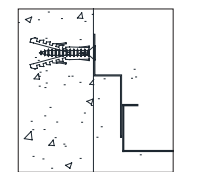
### ISOMETRIC DETAIL



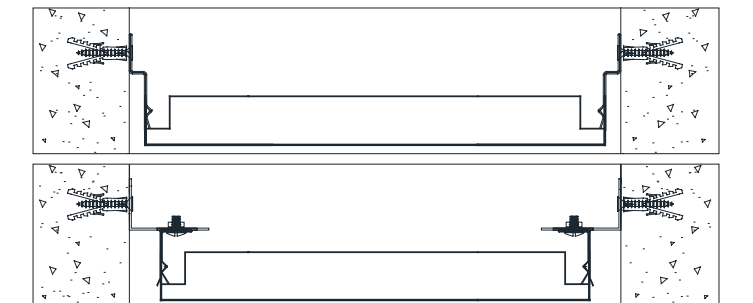
### PANEL JOINT DETAIL



### PERIMETER OPTIONS



### CARRIER DETAILS



# CORRIDOR SOLUTIONS

A hinge down type self-supported ceiling for corridor solutions. Modular panel system with easy accessibility to ceiling void without any intermediate support. Panels can slide to any convenient position. Offered in a wide range of sizes, colors & finishes.



## 440 Series SELF SUPPORTED SLIDE

### FEATURES

#### MATERIAL / THICKNESS

Aluminum Alloy as per EN AW 3000 or 5000 series / 0.5mm to 0.8mm

Zinc Plated Galvanized Steel G90 grade / 0.5mm to 0.8mm

#### SURFACE FINISH

Plain / Perforated / Decorative Patterns

#### SIZE (mm)

##### WIDTH

300 to 700

##### LENGTH

900 to 3000

##### EDGE

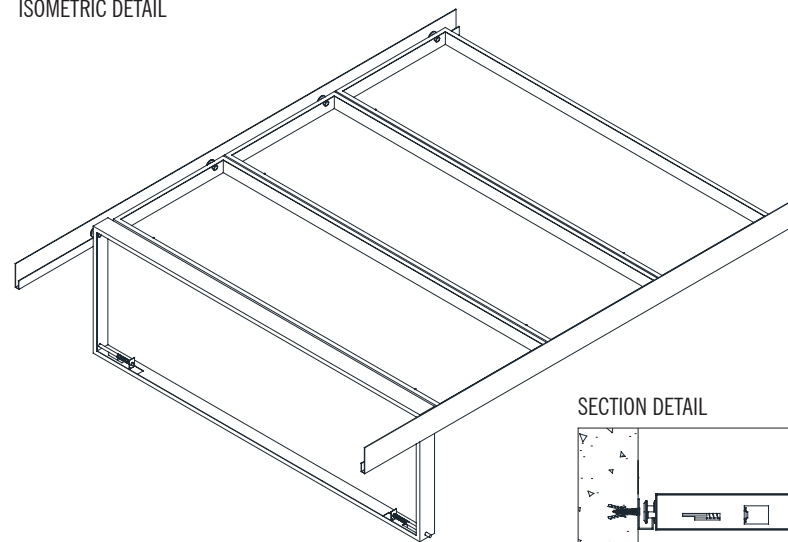
Square



## RAM 441 RAIL-SLIDE

 Luminous Panel (optional)

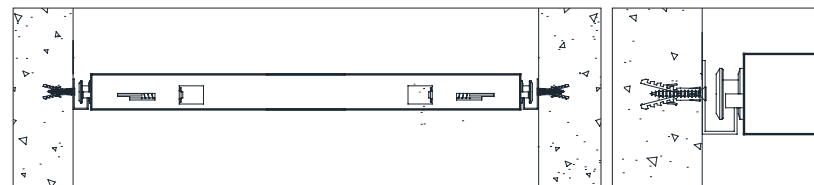
ISOMETRIC DETAIL




PANEL JOINT DETAIL



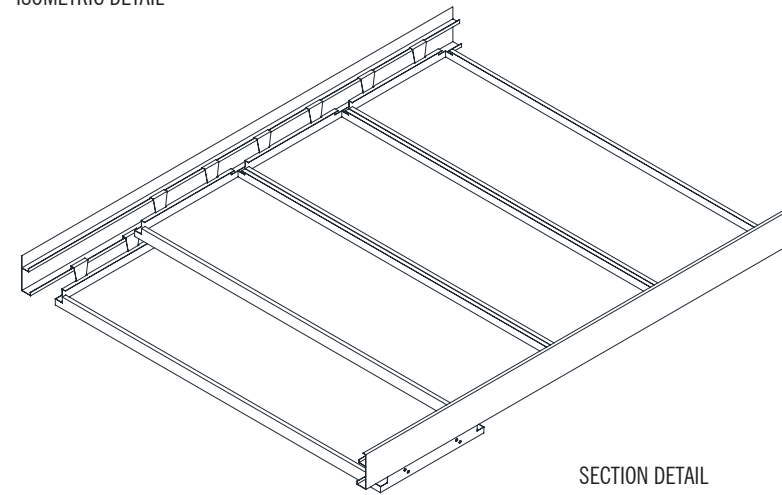
SECTION DETAIL



## RAM 442 STEP-SLIDE

 Luminous Panel (optional)

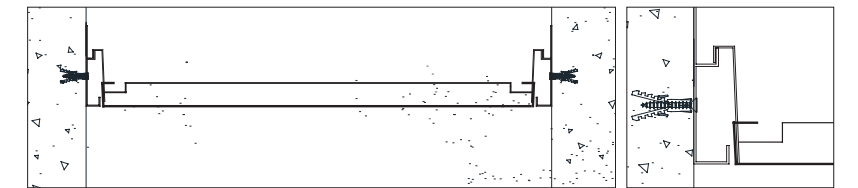
ISOMETRIC DETAIL



PANEL JOINT DETAIL



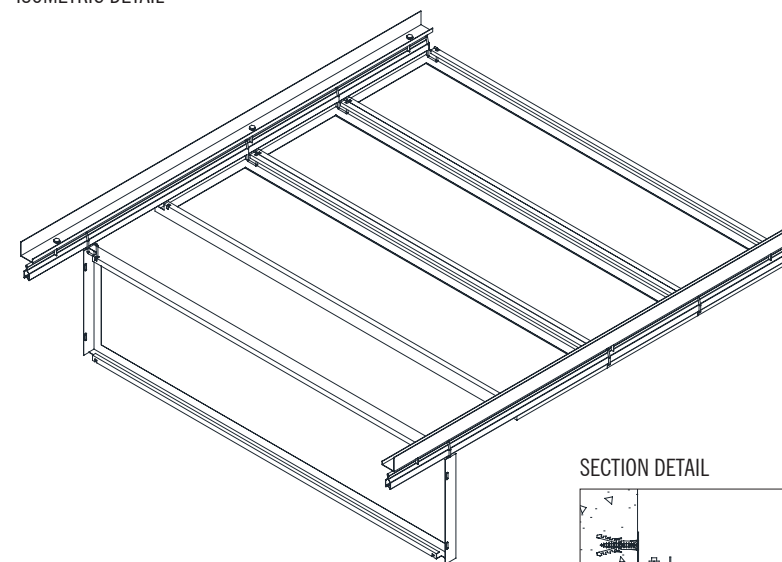
SECTION DETAIL



## RAM 443 HOOK-SLIDE

 Luminous Panel (optional)

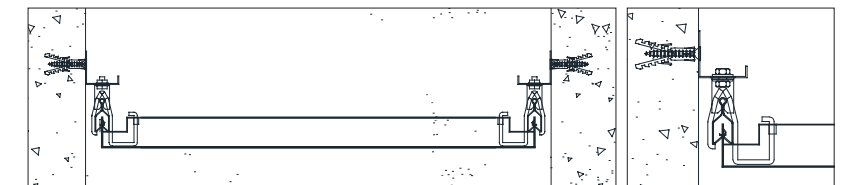
ISOMETRIC DETAIL



PANEL JOINT DETAIL

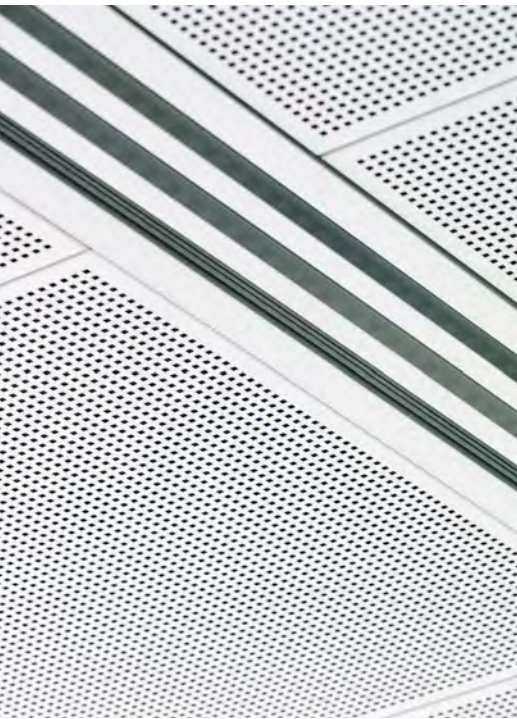


SECTION DETAIL



# BEAMGRID

A continuous beam profile ceiling is an ideal solution for integrating ceiling with demountable partition. Available with sound attenuation panels. Can be manufactured in single & double skin. The beam profile can be used to integrate light fittings, AC grills, and other MEP services. Offered as recess, flush, or reveled edge with the panel. Panels are laid on the beam profile, which can be produced in multiple sizes in order to avoid cutting the panels. Lifts upwards for access to ceiling void. Offered in a wide range of sizes, colors & finishes.



## 510 Series CONTINUOUS

### FEATURES

#### MATERIAL / THICKNESS

**PANELS**  
Aluminum Alloy as per EN AW 3000 or 5000 series / 0.5 to 1.0mm

Zinc Plated Galvanized Steel G90 grade / 0.5 to 1.0mm

**BEAMS**  
Galvanized Steel: 0.5 to 2.0mm

#### SURFACE FINISH

Plain/Perforated/Decorative Patterns

#### SIZES

**TYPE:** Continuous / Inverted

**PANEL JOINT DETAIL:** Square

**BEAM WIDTH:** 100-300mm

**DIMENSIONS (mm)**  
600x600/750x750/900x900/1000x1000/  
1200x1200/1500x1500

## 520 Series THREADED/FLAT

### FEATURES

#### MATERIAL / THICKNESS

**PANELS**  
Aluminum Alloy as per EN AW 3000 or 5000 series / 0.5 to 1.0mm

Zinc Plated Galvanized Steel G90 grade / 0.5 to 1.0mm

**BEAMS**  
Galvanized Steel: 0.5 to 2.0mm

#### SURFACE FINISH

Plain/Perforated/Decorative Patterns

#### SIZES

**TYPE:** RAM 521: Threaded profile  
RAM 522: Flat

**BEAM WIDTH:** 100-300mm

**DIMENSIONS (mm)**  
600x600/750x750/900x900/1000x1000/  
1200x1200/1500x1500

## 530 Series HOOK-ON

### FEATURES

#### MATERIAL / THICKNESS

**PANELS**  
Aluminum Alloy as per EN AW 3000 or 5000 series / 0.5 to 1.0mm

Zinc Plated Galvanized Steel G90 grade / 0.5 to 1.0mm

**BEAMS**  
Galvanized Steel: 0.5 to 2.0mm

#### SURFACE FINISH

Plain/Perforated/Decorative Patterns

#### SIZES

**TYPE:** Hook

**PANEL JOINT DETAIL:** Square

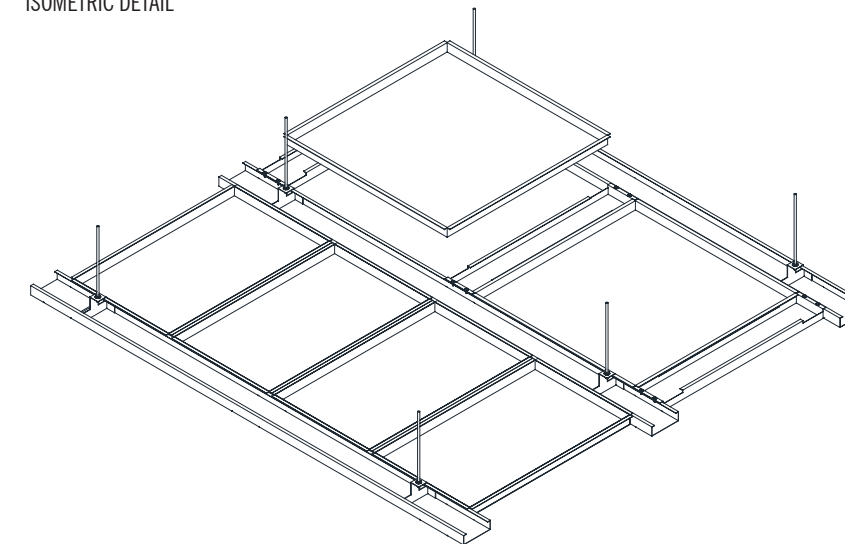
**BEAM WIDTH:** 100-300mm

**DIMENSIONS (mm)**  
600x600/750x750/900x900/1000x1000/  
1200x1200/1500x1500



## RAM 511 CONTINUOUS RAM 512 INVERTED

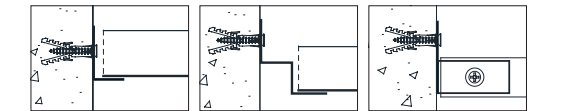
### ISOMETRIC DETAIL



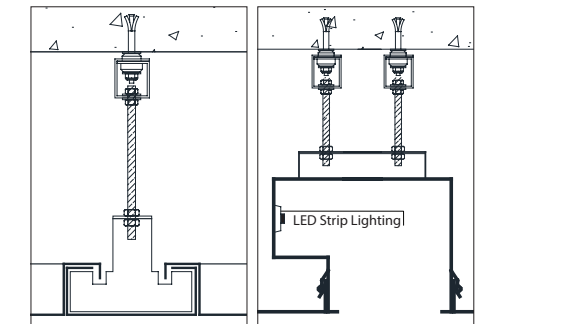
Luminous Panel (optional)



### PERIMETER OPTIONS

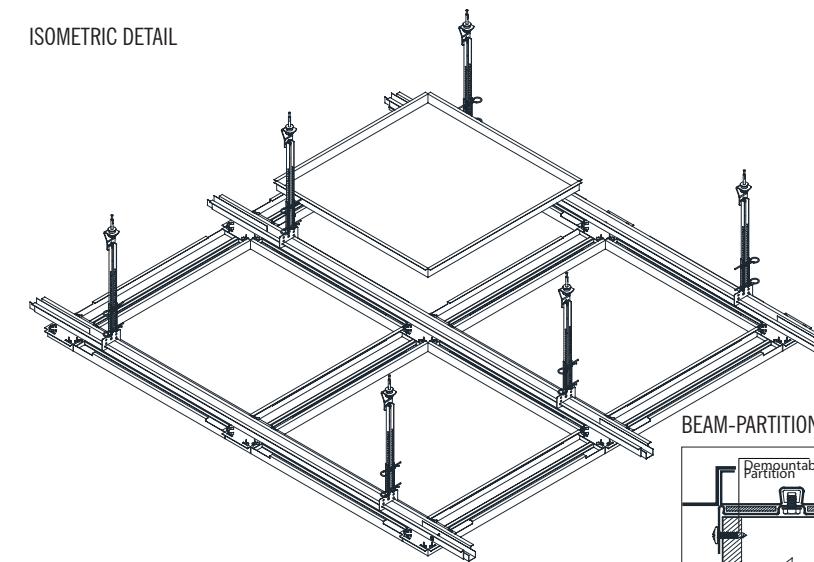


### SECTION DETAIL



## RAM 521 THREADED RAM 522 FLAT

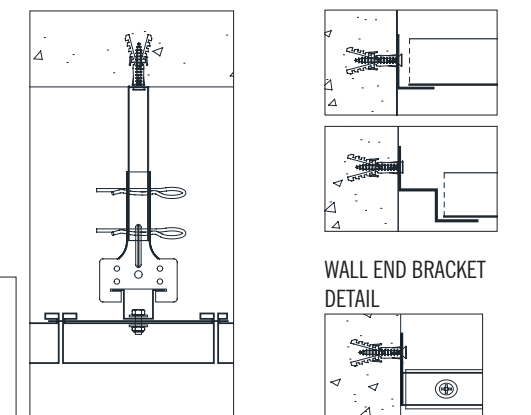
### ISOMETRIC DETAIL



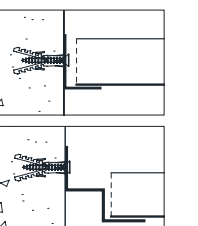
Luminous Panel (optional)



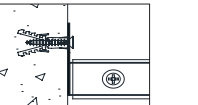
### OPTIONAL HANGING SOLUTIONS



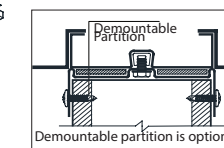
### PERIMETER OPTIONS



### WALL END BRACKET DETAIL

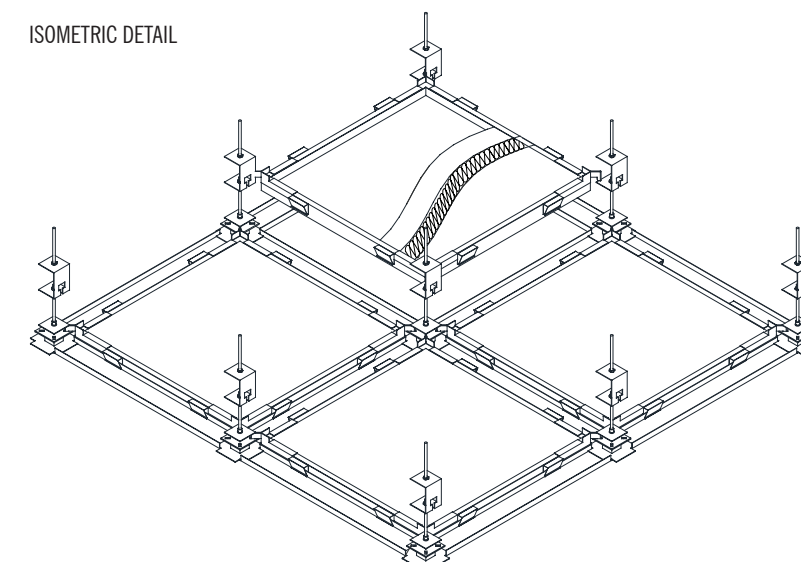


### BEAM-PARTITION DETAIL



## RAM 531 HOOK-ON

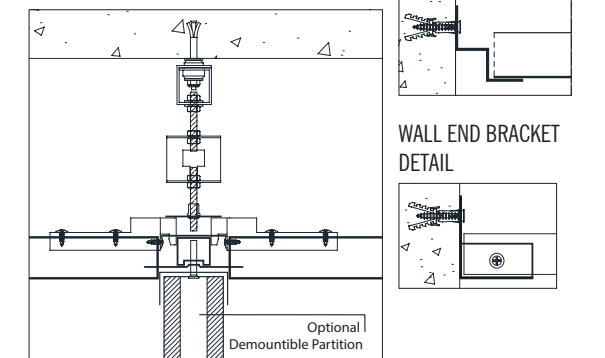
### ISOMETRIC DETAIL



Luminous Panel (optional)



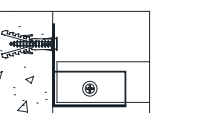
### SECTION DETAIL



### PERIMETER OPTIONS

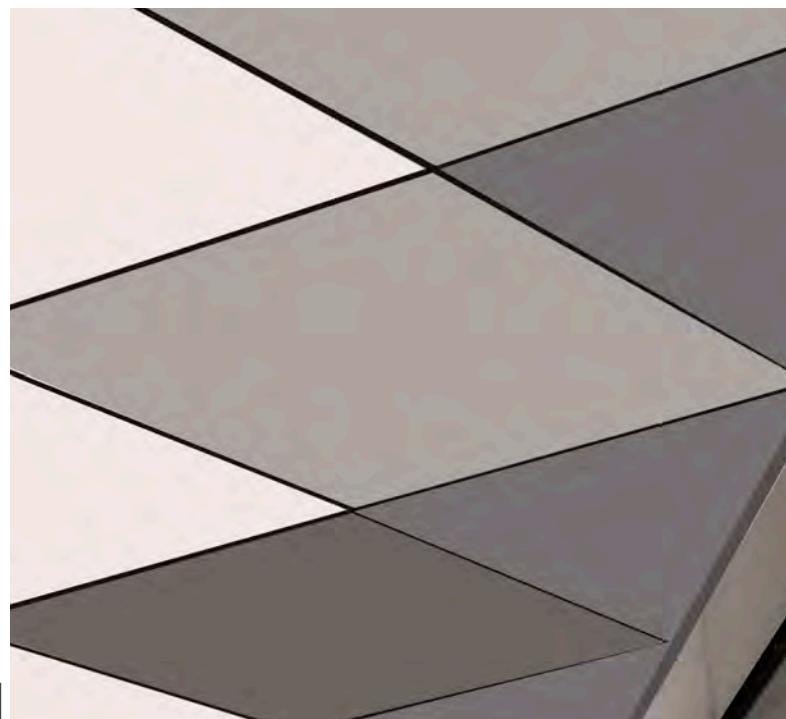
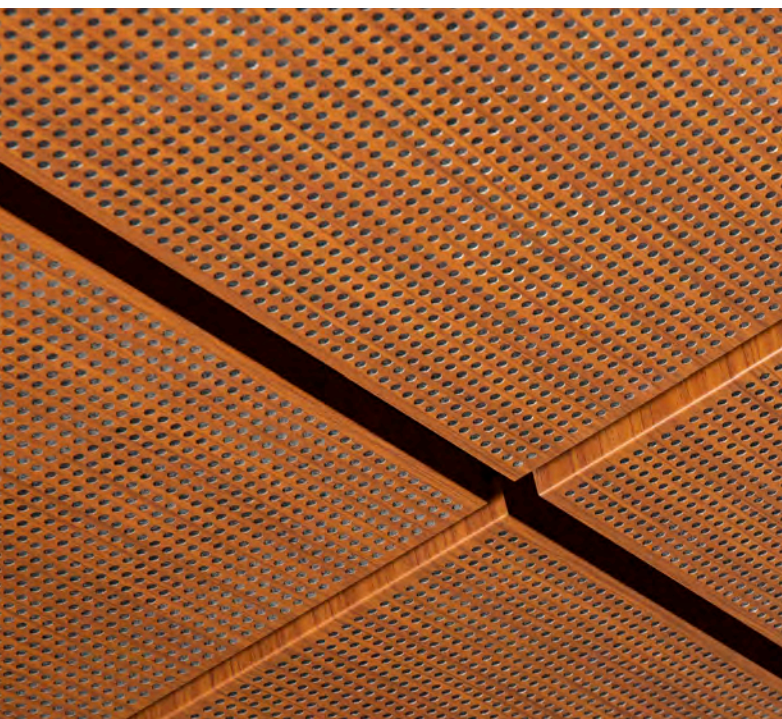


### WALL END BRACKET DETAIL



# TORSION SPRING

This hinge down type modular torsion spring ceiling system with reveled edge is an ideal solution for mega size panels and multiple height ceilings. It is highly sustainable and durable. Available with sound attenuation panels. Can be produced in double skin. Fully demountable with downward hinge down accessibility without using any special tool. Offered in a wide range of sizes, colors & finishes.



## 610 Series SR

### FEATURES

#### MATERIAL / THICKNESS

Aluminum Alloy as per EN AW 3000 or 5000 series / 0.5mm to 1.0mm  
Zinc Plated Galvanized Steel G90 grade / 0.5mm to 1.0mm  
+ Spring Material- Stainless Steel for both options

#### SURFACE FINISH

Plain/Perforated/Decorative Patterns

#### SIZE

PANEL JOINT DETAIL: Square

DIMENSIONS (mm)  
600x600/600x1200/1200x1200

## 620 Series T

### FEATURES

#### MATERIAL / THICKNESS

Aluminum Alloy as per EN AW 3000 or 5000 series / 0.5mm to 1.0mm  
Zinc Plated Galvanized Steel G90 grade / 0.5mm to 1.0mm  
+ Spring Material- Stainless Steel for both options

#### SURFACE FINISH

Plain/Perforated/Decorative Patterns

#### SIZE

TRIANGLE TYPE: Equilateral/Isosceles/Scalene

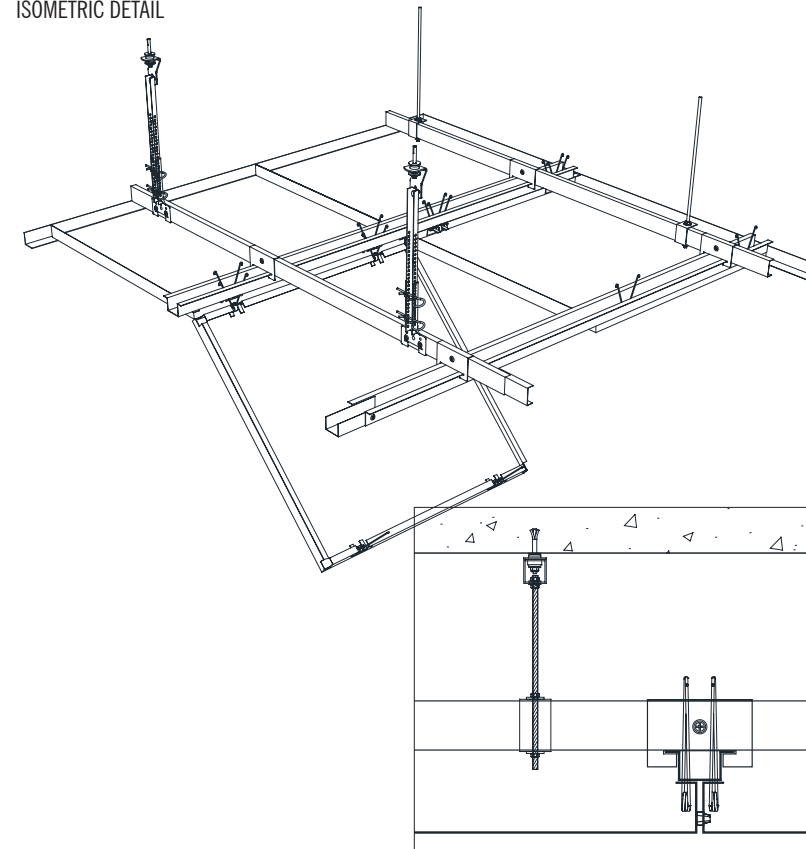
PANEL JOINT DETAIL: 3mm/5mm gap



## RAM 611 SQUARE/RECTANGULAR

Luminous Panel (optional)

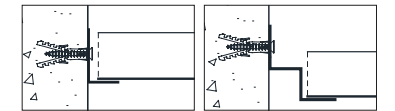
### ISOMETRIC DETAIL



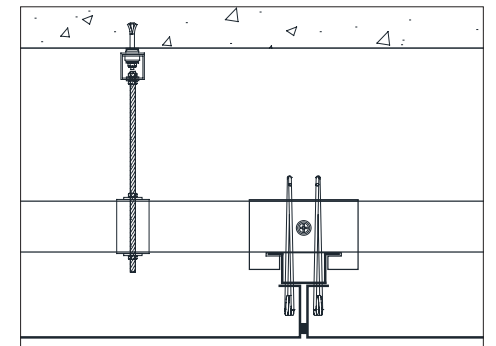
### JOINT DETAIL



### PERIMETER OPTIONS



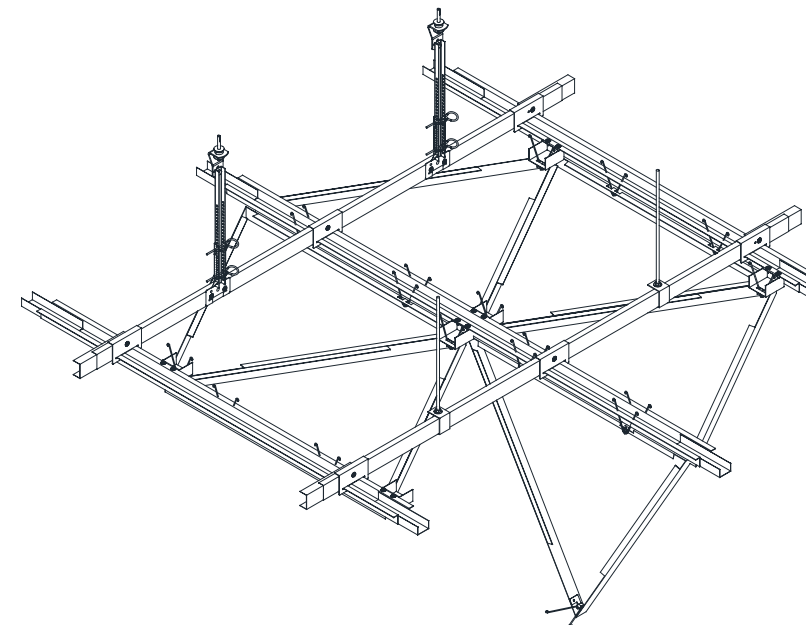
### SECTION DETAIL



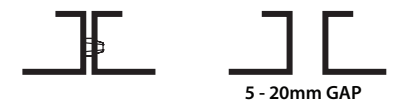
## RAM 621 TRIANGULAR FLAT RAM 622 TRIANGULAR 3D

Luminous Panel (optional)

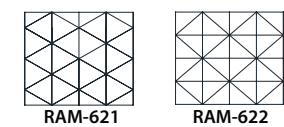
### ISOMETRIC DETAIL



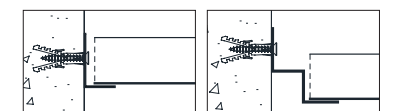
### JOINT DETAIL



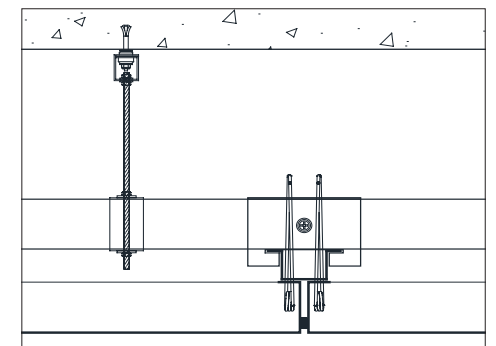
### PANEL DESIGN PATTERN



### PERIMETER OPTIONS

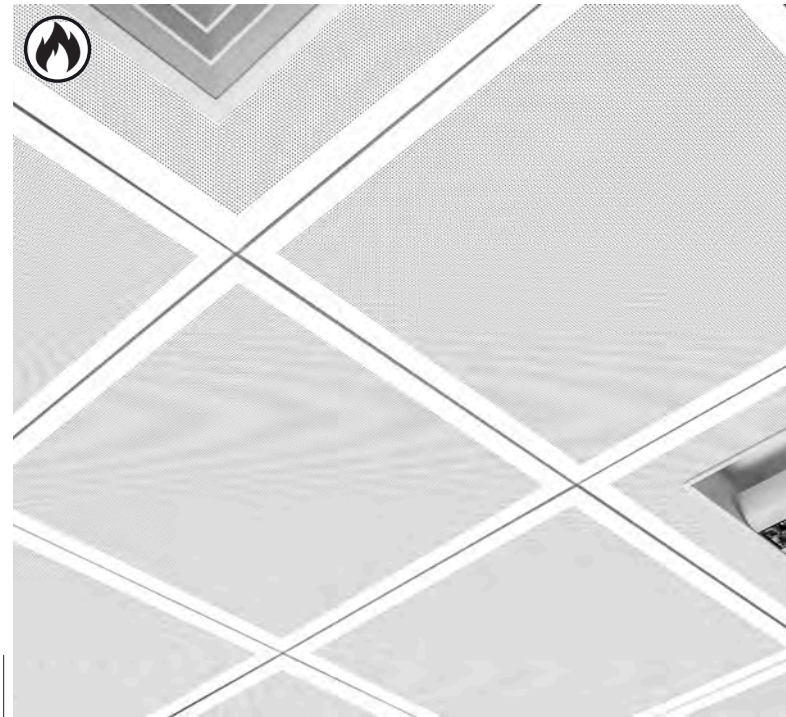


### SECTION DETAIL



# FIRE RATED

Series 710 is a clip in hinge down ceiling type, clipped in to a concealed suspension system, ideal for industrial & central kitchens. Fire resistance performance close to 2 hours, and classified as medium security. Hinge down accessibility using panel removal access key tool. Series 720 is fire rated ceiling panels with spring action latch lock on beam profile, ideal for integrating ceiling with demountable partition, hanging & support for light (weight) signs & multimedia materials. For use in airports, universities & office buildings. Fire resistance performance exceed to 2 hours. High acoustic performance of sound absorption as well as tested with high CAC 51db sound transmission. Fully demountable with downward accessibility using panel removal access key tool. Offered in a wide range of sizes, colors & finishes.



## 710 Series F90

### FEATURES

**MATERIAL / THICKNESS**

Zinc Plated Galvanized Steel G90 grade / 0.7mm

**SURFACE FINISH**

Plain/Perforated/Decorative Patterns

**SIZE**

**PANEL JOINT DETAIL (mm)**  
 Square: W ≤600mm x L ≤1800mm  
 3mm Beveled: 600x600

## 720 Series F120

### FEATURES

**MATERIAL / THICKNESS**

**PANELS (mm)**  
 Zinc Plated Galvanized Steel G90 grade

**BEAMS (mm)**  
 Zinc Plated Galvanized Steel G90 grade

**SURFACE FINISH**

Plain/Perforated/Decorative Patterns

**SIZE**

**TYPE**  
 concealed

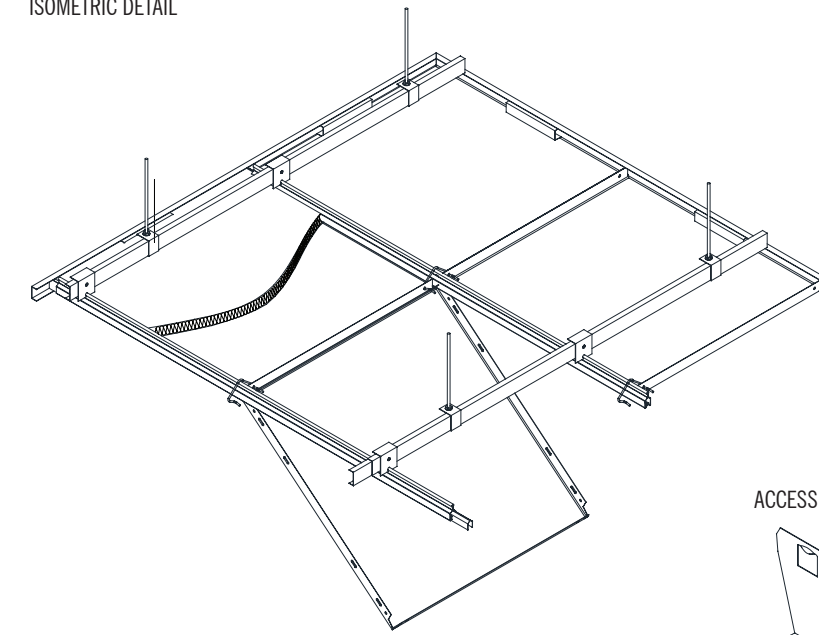
**PANEL JOINT DETAIL**  
 Square

**DIMENSIONS (mm)**  
 600x600/750x750/900x900/1000x1000/1200x1200/1500x1500

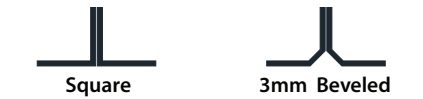


## RAM 711 F90

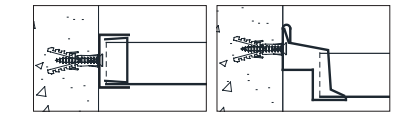
ISOMETRIC DETAIL



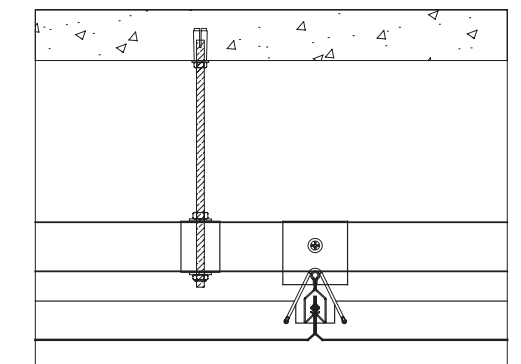
JOINT DETAIL



PERIMETER OPTIONS



SECTION DETAIL

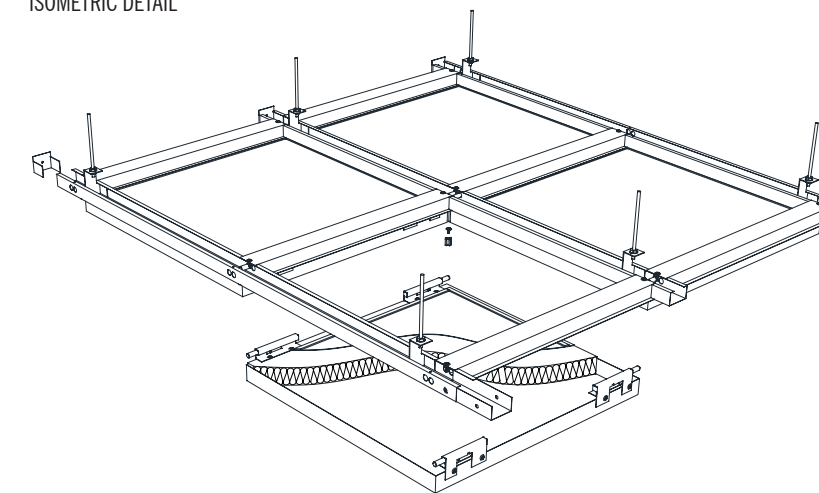


ACCESS TOOL



## RAM 721 F120

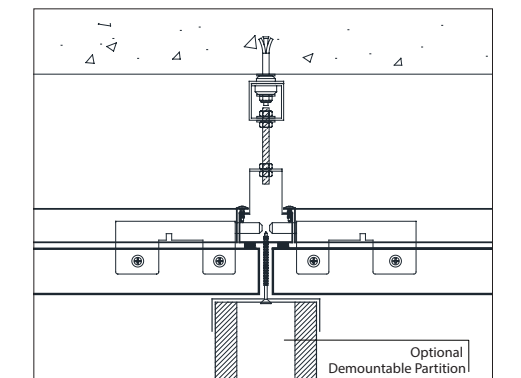
ISOMETRIC DETAIL



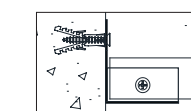
PANEL BEAM DETAIL



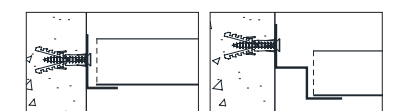
SECTION DETAIL



WALL END BRACKET DETAIL



PERIMETER OPTIONS





CEILING SYSTEMS

# SECURITY

A high guard ceiling type. Grade 1 is designed for maximum security and is ideal for prisons, detention centers, and other high security zones. Grade 4 is designed for light security and is ideal for airport washrooms, classrooms, light detention centers, and other light security zones. Security access panel with special tool is available for both grades. Tested as per ASTM F2322-2012 standards for maximum Grade 1 criteria & tested for load bearing capacity.

## 810 Series HIGH GUARD

### FEATURES

**MATERIAL / THICKNESS**

Zinc Plated Galvanized Steel G90 grade.

**THICKNESS**

Galvanized steel:  
RAM 811: 3.0mm  
RAM 812: 2.0mm

**SURFACE FINISH**

Plain/Perforated

**SIZE**

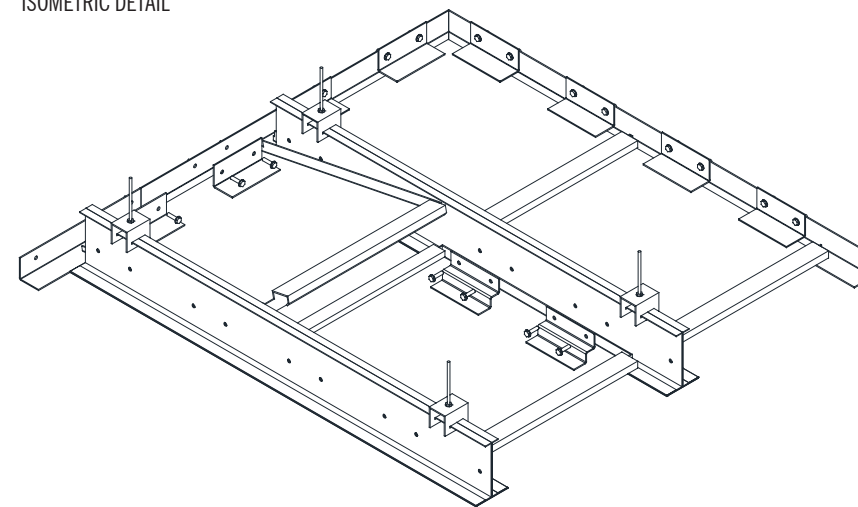
PANELS (mm): 600x600/600x1200

- +RAM 811 (with security brackets)
- +RAM 812 (with security lock)



## RAM 811 SECURITY CEILING GRADE 1 RAM 812 SECURITY CEILING GRADE 4

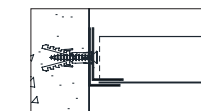
ISOMETRIC DETAIL



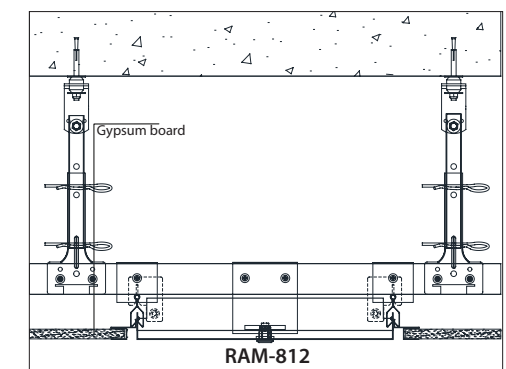
JOINT DETAIL



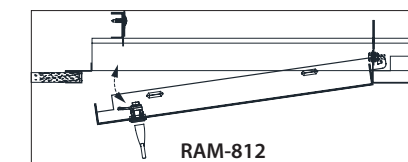
PERIMETER DETAIL



CROSS SECTION



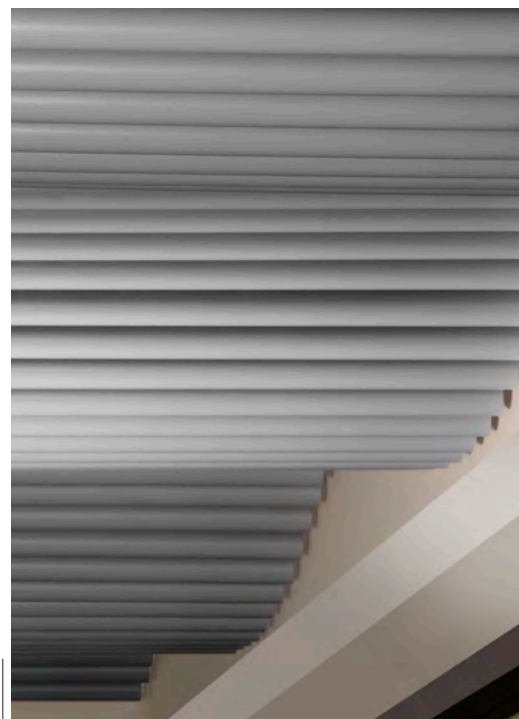
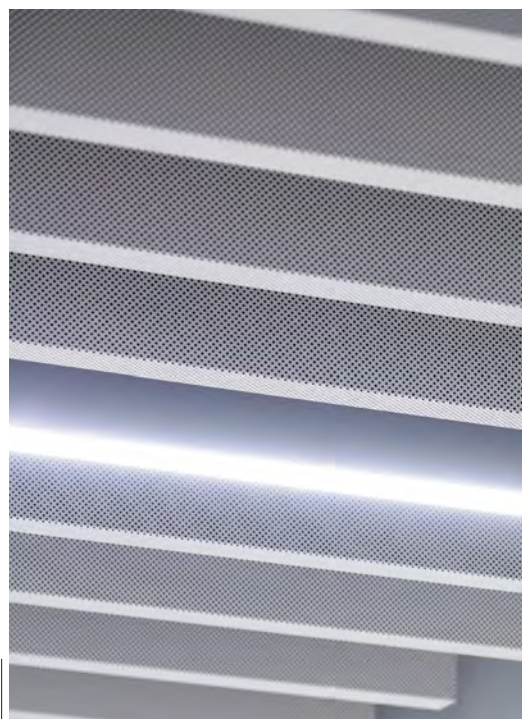
ACCESS PANEL SECTION





# BAFFLE

A modern looking profile that can be produced in variable modules between baffles. Fully demountable. For use in airports, metro stations, car showrooms & libraries. Offered in a wide range of designs, sizes, colors & finishes.



## 910 Series BLADE

### FEATURES

#### MATERIAL / THICKNESS

Aluminum Alloy as per EN AW 3000 or 5000 series / 0.5mm to 1.0mm

Zinc Plated Galvanized Steel G90 grade / 0.5mm to 0.7mm.

#### SURFACE FINISH

Plain/Perforated

#### SIZE

##### HEIGHTS (mm)

RAM 911: 100–200  
RAM 912: 300–600

##### SPACING (mm)

100/150/200/300

## 920 Series BAFFLE

### FEATURES

#### MATERIAL / THICKNESS

Aluminum Alloy as per EN AW 3000 or 5000 series / 0.5mm to 1.0mm

Zinc Plated Galvanized Steel G90 grade /

RAM 921: 0.5mm to 0.9mm

RAM 922: 0.5mm to 0.7mm

#### SURFACE FINISH

Plain/Perforated

#### SIZE

##### HEIGHTS (mm)

RAM 921: Up to 100  
RAM 922: Up to 300

##### WIDTH (mm)

RAM 921: 10/20/30  
RAM 922: 25/40/100/200

##### LENGTH (mm)

UP TO 3000

## 930 Series TUBULAR

### FEATURES

#### MATERIAL / THICKNESS

Aluminum Alloy as per EN AW 3000 or 5000 series /

RAM 931: 0.5 to 0.7

RAM 932: 1.0

#### SURFACE FINISH

Plain/Perforated

#### SIZE

##### HEIGHTS (mm)

RAM 931: 60  
RAM 932: 45/55/70/80

##### WIDTH (mm)

RAM 931: 80  
RAM 932: 25/50

##### SPACING (mm)

RAM 931: 20  
RAM 932: 75/100/150/200

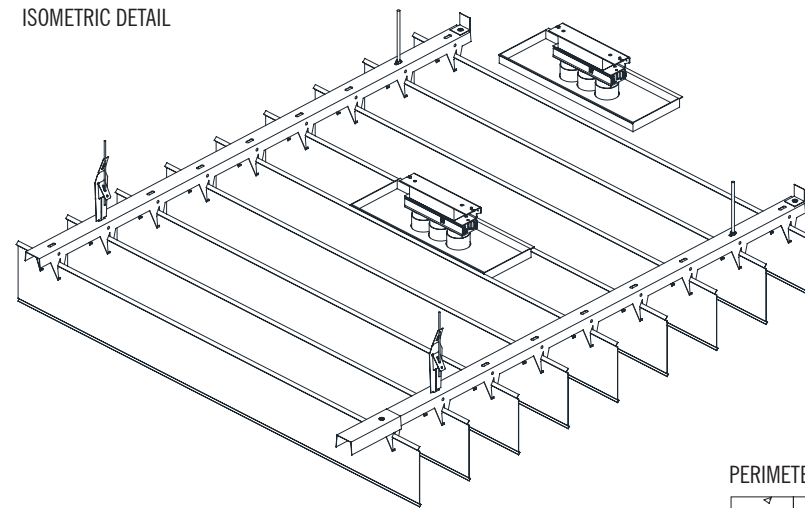
##### LENGTH (mm)

UP TO 3000

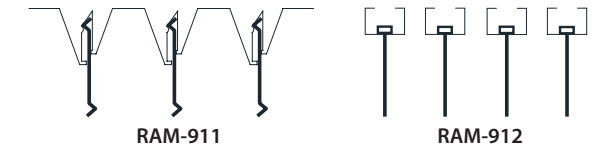


## RAM 911 V LINE RAM 912 SOLID LINE

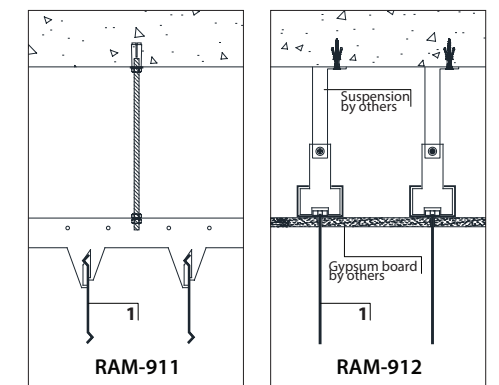
### ISOMETRIC DETAIL



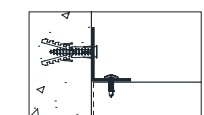
### STRIP DETAIL



### OPTIONAL HANGING SOLUTIONS

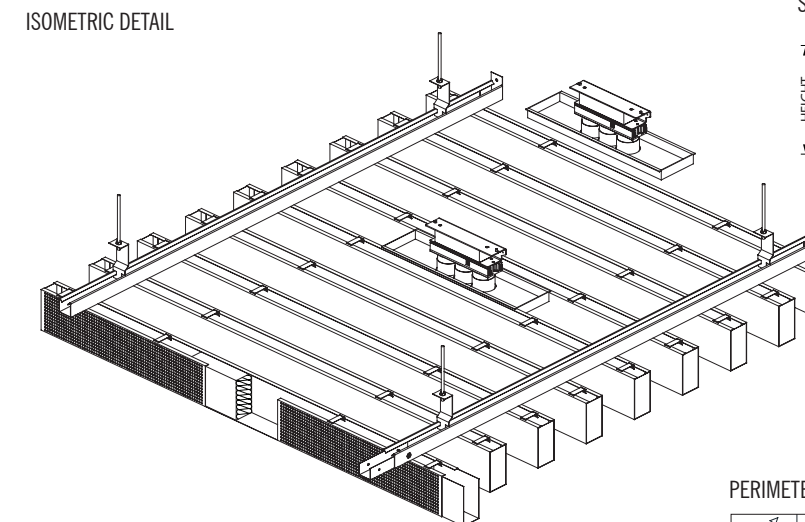


### PERIMETER OPTIONS

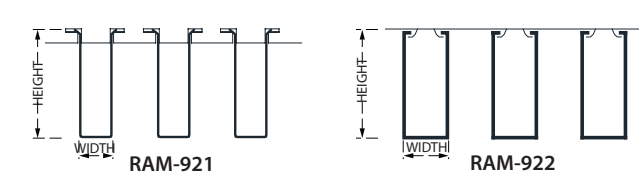


## RAM 921 FINS RAM 922 BAFFLE

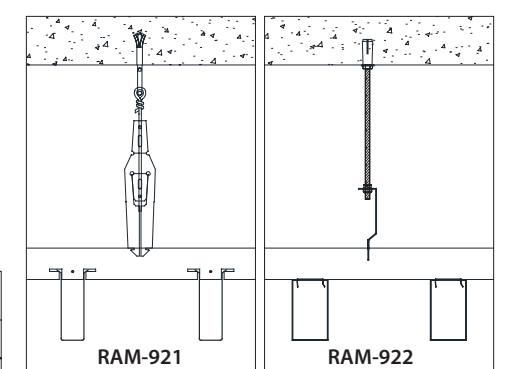
### ISOMETRIC DETAIL



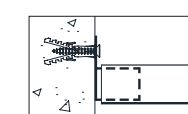
### STRIP DETAIL



### OPTIONAL HANGING SOLUTIONS

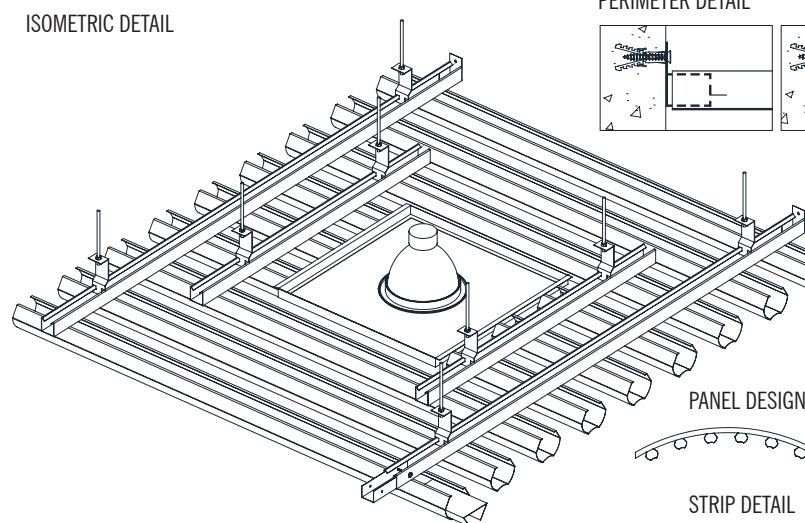


### PERIMETER DETAIL

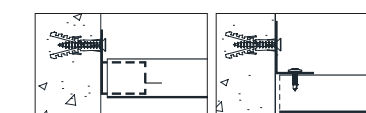


## RAM 931 C LINE RAM 932 O LINE

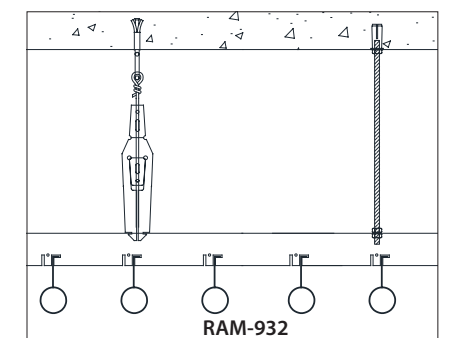
### ISOMETRIC DETAIL



### PERIMETER DETAIL



### OPTIONAL HANGING SOLUTIONS



### PANEL DESIGN PATTERN



### STRIP DETAIL



# BAFFLE

These panels are ideal for open spaces & high ceiling level to view through the void. For airports, metro stations, car show-rooms & libraries. Fully demountable. Special service tray can be produced to integrate light fitting & other MEP services in order to provide clear finish. Offered in a wide range of designs, sizes, colors & finishes.



## 940 Series DIASPACE

### FEATURES

#### MATERIAL / THICKNESS

Aluminum Alloy as per EN AW 3000 or 5000 series / 0.5 to 0.6

#### SURFACE FINISH

Plain/Perforated

#### SIZE

HEIGHT (mm): 300

WIDTH (mm): 100

LENGTH: Up to 3000mm

SPACING (mm): 50/100/150

## 950 Series 3D

### FEATURES

#### MATERIAL / THICKNESS

Aluminum Alloy as per EN AW 3000 or 5000 series / 0.5 to 1.0

Zinc Plated Galvanized Steel G90 grade / 0.5 to 0.9

#### SURFACE FINISH

Plain/Perforated

#### SIZE

HEIGHT (mm): Up to 50mm

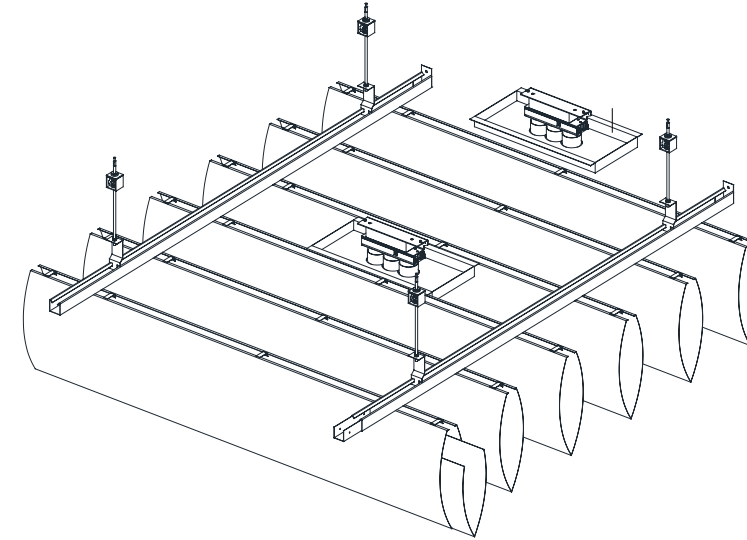
WIDTH (mm): 10/20/30

LENGTH: Up to 3000mm

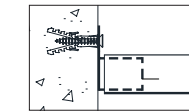


## RAM 941 DIASPACE

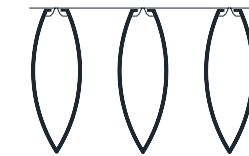
### ISOMETRIC DETAIL



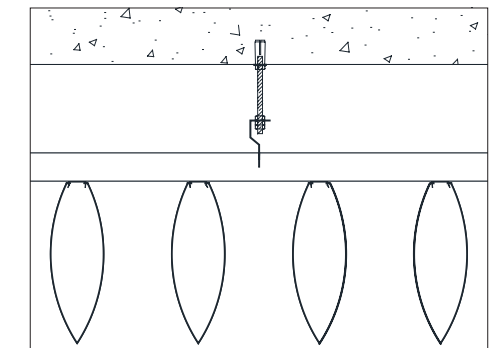
### PERIMETER DETAILS



### STRIP DETAIL

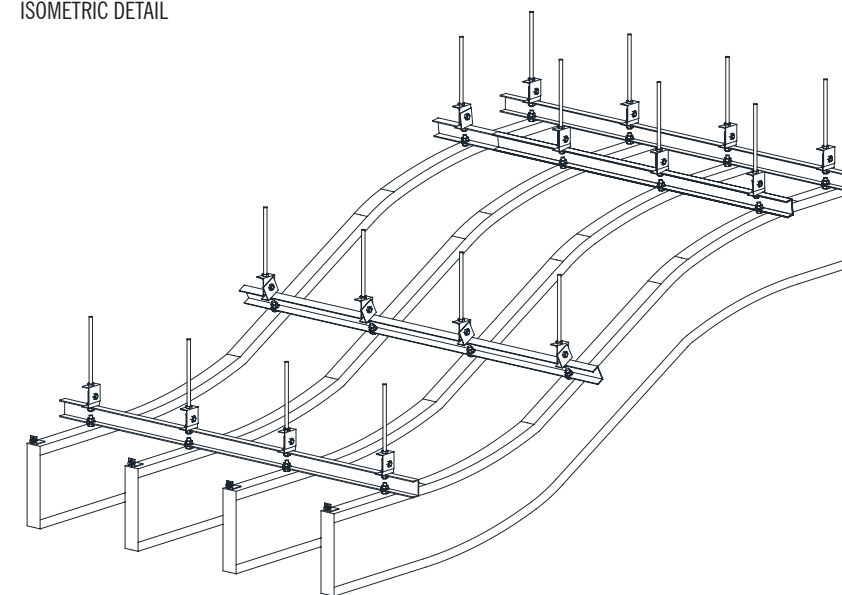


### SECTION DETAIL



## RAM 951 3D

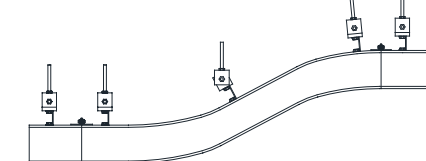
### ISOMETRIC DETAIL



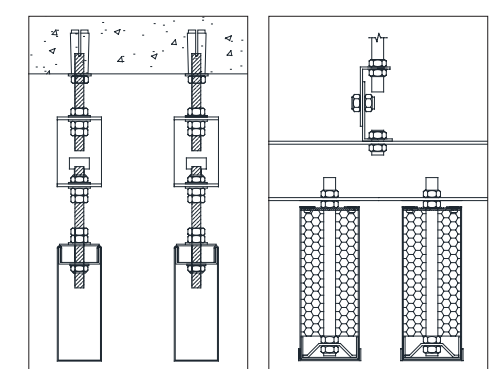
### STRIP DETAIL



### LONGITUDINAL SECTION



### OPTIONAL HANGING SOLUTIONS



### PANEL DESIGN PATTERN



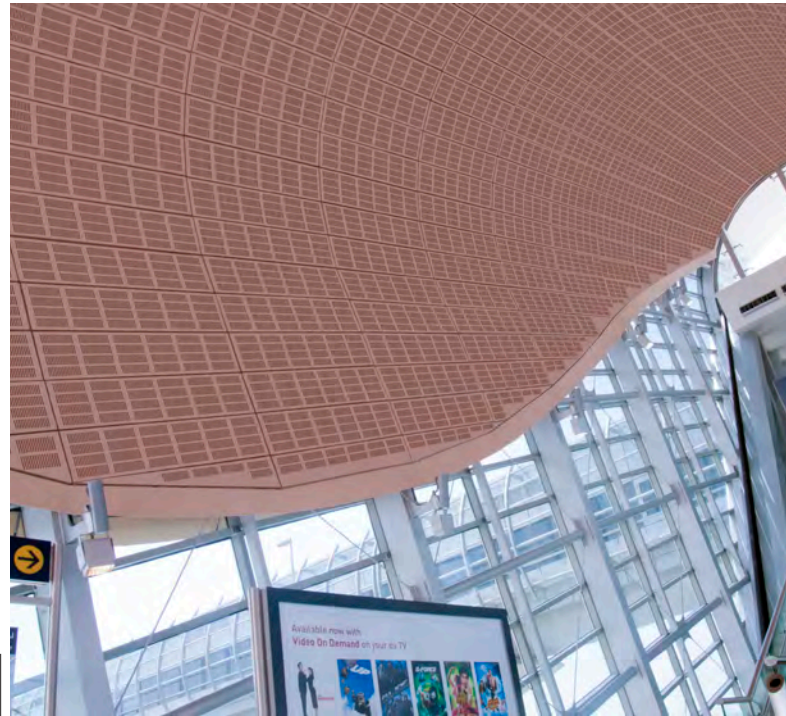
ELEVATION VIEW  
RAM-951



PLAN VIEW  
RAM-952

# CURVED

A multi-dimensional ceiling profile. Fully demountable and offered in a wide range of sizes, colors & finishes. Series 1010 can be used on walls & high levels. An acoustic pad can added to improved acoustic performance. Series 1020 can be installed as Island module or wall to wall ceiling. Perforated to provide high acoustic performance. Can be cut to size as per project requirement.



## 1010 Series WINGS

### FEATURES

#### MATERIAL / THICKNESS

Aluminum Alloy as per EN AW 3000 or 5000 series / 0.7mm to 1mm

+ Custom thickness are available upon request

#### SURFACE FINISH

Plain/Perforated

#### SIZE

WIDTH (mm): 600

LENGTH (mm): Up to 2000

+ Custom sizes are available upon request

## 1020 Series WAVES

### FEATURES

#### MATERIAL / THICKNESS

Aluminum Alloy as per EN AW 3000 or 5000 series / 0.5 to 0.9

Zinc Plated Galvanized Steel G90 grade / 0.5 to 0.9

#### SURFACE FINISH

Plain/Perforated

#### SIZE

WIDTH (mm): 300-600

LENGTH (mm): 600-2000

#### EDGE DETAIL

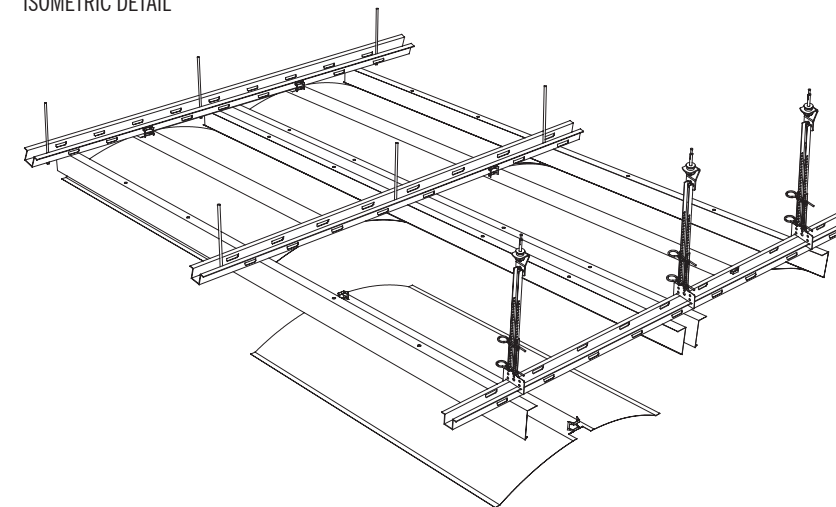
Square

+ Custom sizes are available upon request



## RAM 1011 WINGS

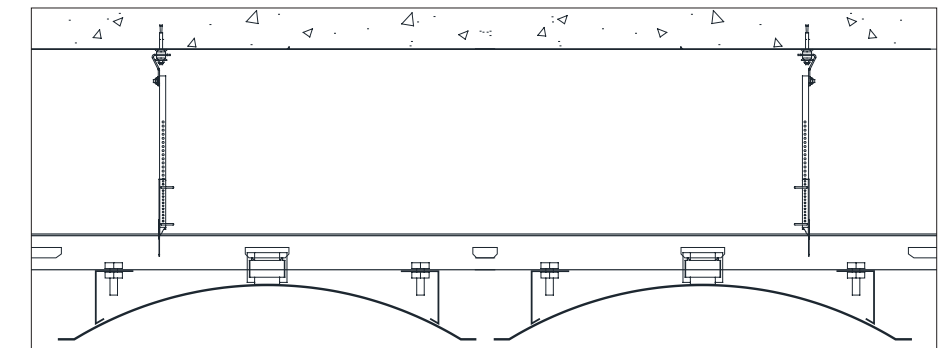
### ISOMETRIC DETAIL



### PANEL JOINT DETAIL

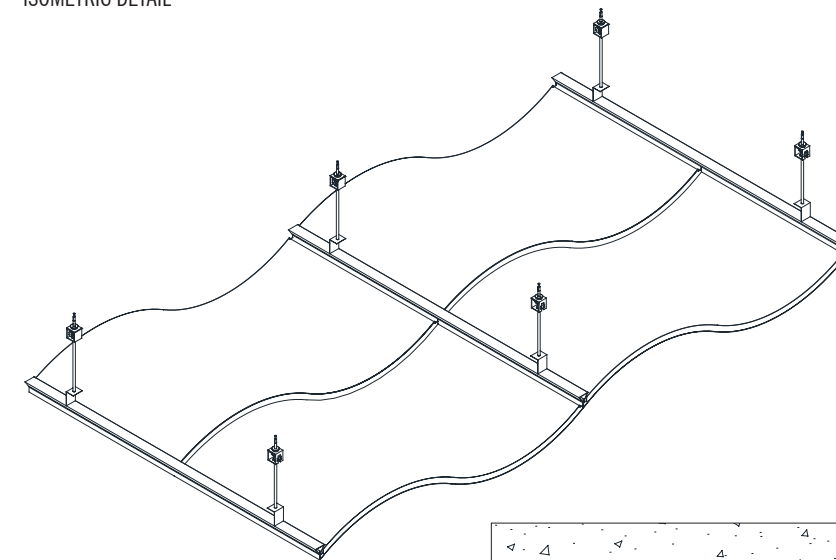


### OPTIONAL HANGING SOLUTIONS



## RAM 1021 WAVES

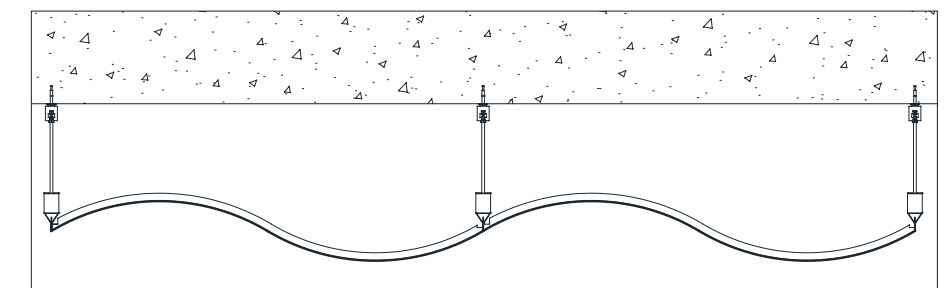
### ISOMETRIC DETAIL



### PANEL JOINT DETAIL

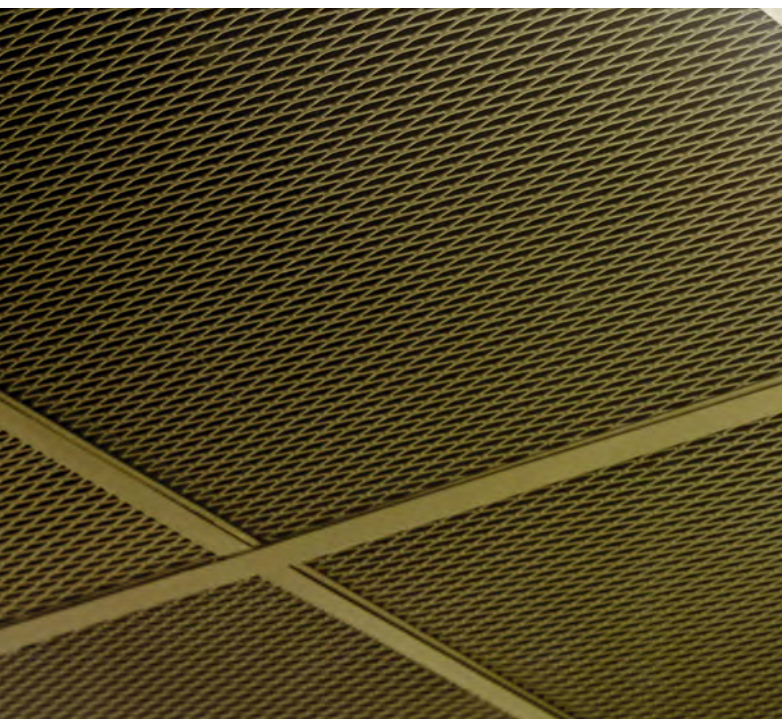


### OPTIONAL HANGING SOLUTIONS



# MESH

A modern looking ceiling profile ideal for open spaces, in airports, metro stations, public transport facilities, & libraries. Can be used as a security ceiling when the mesh is produced in high gauge and proper suspension. Acoustic insulation can provide high acoustics performance. Fully demountable, complying with any accessibility requirements. Offered in a wide range of sizes, colors & finishes.



## 1110 Series MESH

### FEATURES

#### MATERIAL / THICKNESS

Aluminum Alloy as per EN AW 3000 or 5000 series  
Zinc Plated Galvanized Steel G90 grade.

#### THICKNESS

Aluminum or Galvanized Steel: 0.5mm to 3.0mm  
+ Custom thickness are available upon request

#### SURFACE FINISH

Expanded / Woven

#### SIZE

WIDTH (mm): 300-1200

LENGTH (mm): 600-2400

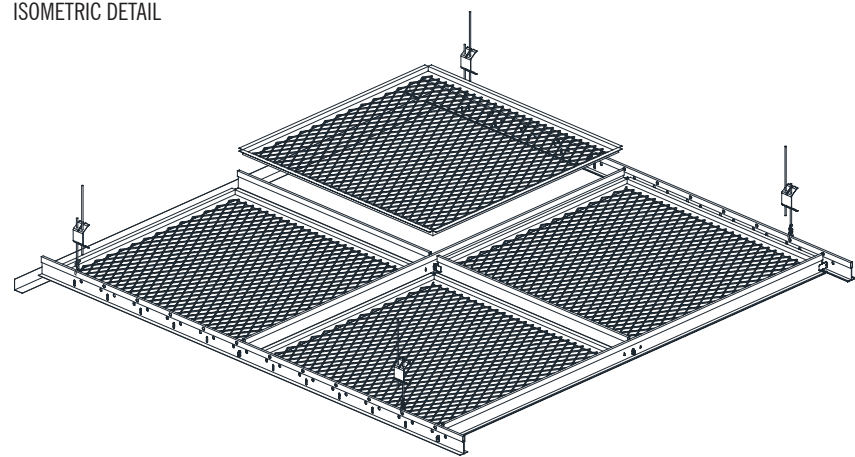
+ Custom sizes are available upon request



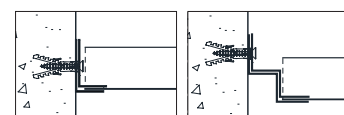
### RAM 1111 MESH L RAM 1112 MESH C

### RAM 1113 MESH H RAM 1114 MESH T

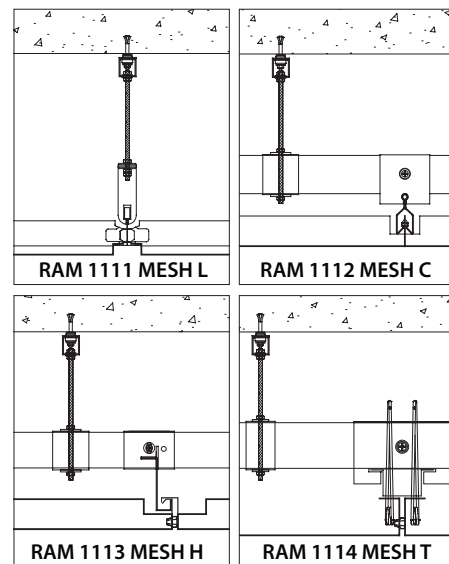
#### ISOMETRIC DETAIL



#### PERIMETER OPTIONS



#### OPTIONAL HANGING SOLUTIONS



#### PANEL JOINT DETAILS



# BESPOKE

An open & no limitation design ceiling. Can be custom manufactured to architect specifications. Ideal for complex geometric sizes & shapes. Fully demountable, complying with any accessibility requirements. Offered in a wide range of designs, sizes, colors & finishes.

## 1210 Series BESPOKE

### FEATURES

#### MATERIAL / THICKNESS

Aluminum Alloy as per EN AW 3000 or 5000 series / 0.5 to 2.0mm  
Zinc Plated Galvanized Steel G90 grade / 0.5 to 2.0mm

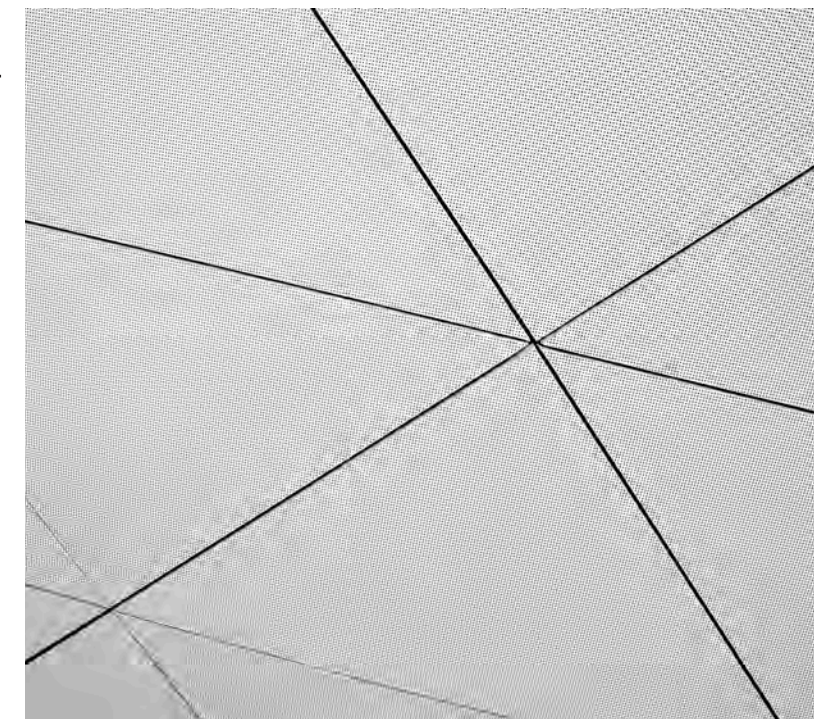
#### SURFACE FINISH

Plain/Perforated

#### SIZE

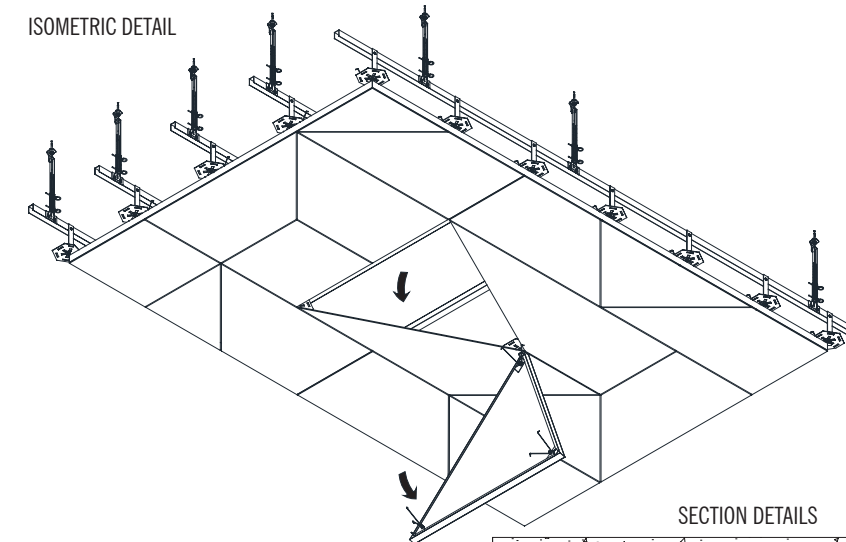
WIDTH (mm): ≤1200

LENGTH (mm): ≤4000



## RAM 1211 BESPOKE

#### ISOMETRIC DETAIL



#### PANEL JOINT DETAIL



#### SECTION DETAILS





RAM 2210 Bespoke Wall Claddings | Mid Field Terminal Project | U.A.E.



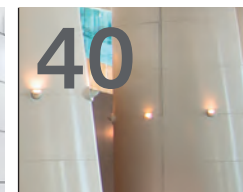
RAM 3010 Shade Control | RAM Metal Industries LLC | U.A.E.

## WALL SYSTEMS

2000 SERIES  
DEMOUNTABLE INTER-  
NAL METAL CLADDING

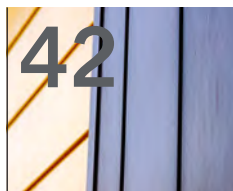


Internal Wall  
Covering  
RAM 2011-2014

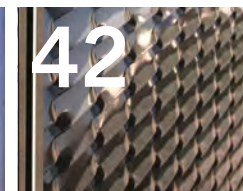


Internal Column  
Covering  
RAM 2021-2024

2100 SERIES  
EXTERNAL METAL  
CLADDING

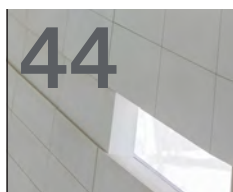


External Wall  
Covering  
RAM 2111-2114



External Column  
Covering  
RAM 2121-2124

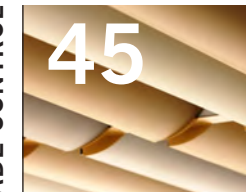
2200 SERIES  
BESPOKE  
WALL CLADDING



Bespoke Wall  
Cladding  
RAM 2211

## SHADE CONTROL

3000 SERIES  
SHADE CONTROL



Shade Control  
RAM 3011

# DEMOUNTABLE INTERNAL METAL CLADDING

An ideal solution for internal wall covering. Effective impact protection for high traffic areas. It's strong structure is suitable for integrated TV screens, sign boards & speakers. Progressive accessibility. Easy access for services & maintenance without any access tool. Offered in a wide range of designs, sizes, colors & finishes.



## 2010 Series INTERNAL WALL COVERING

### FEATURES

#### MATERIAL / THICKNESS

Aluminum Alloy as per EN AW 3000 or 5000 series / 1.0 to 3.0mm  
Zinc Plated Galvanized Steel G90 grade / 0.75 to 2.0mm

#### SURFACE FINISH

Plain/Perforated

#### SIZE

HEIGHT (mm): 300-750mm

LENGTH (mm):

RAM 2011, 2012, 2013:

≤ 3000 (Aluminum)

≤ 2000 (Galvanized Steel)

RAM 2014:

≤ 2000 (Galvanized Steel)

## 2020 Series INTERNAL COLUMN COVERING

### FEATURES

#### MATERIAL / THICKNESS

Aluminum Alloy as per EN AW 3000 or 5000 series / 1.0 to 3.0mm  
Zinc Plated Galvanized Steel G90 grade / 0.75 to 2.0mm

#### SURFACE FINISH

Plain/Perforated

#### SIZE

HEIGHT (mm): 300-750

LENGTH (mm):

RAM 2021, 2022, 2023:

≤ 3000 (Aluminum)

≤ 2000 (Galvanized Steel)

RAM 2024:

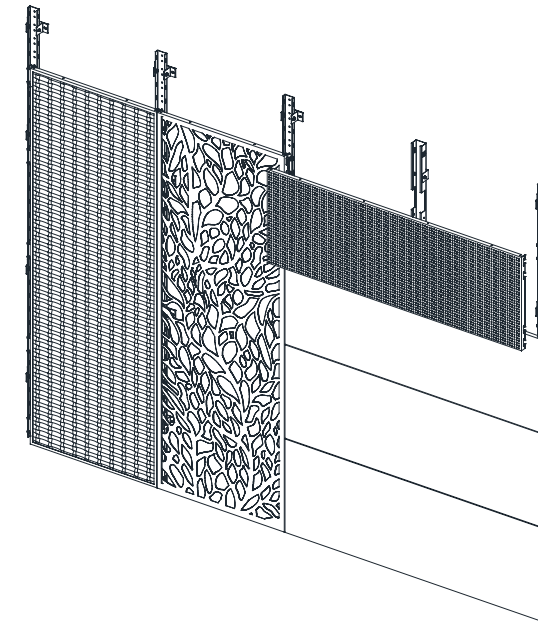
≤ 2000 (Galvanized Steel)



## RAM 2011 SOLID PLAIN RAM 2012 PERFORATED

## RAM 2013 EXPANDED METAL MESH RAM 2014 ARCHITECTURAL FINISH

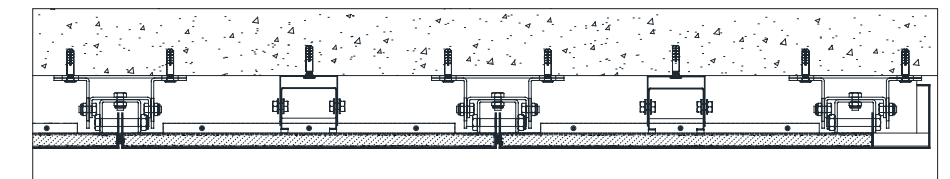
### ISOMETRIC DETAIL



### PANEL JOINT DETAIL



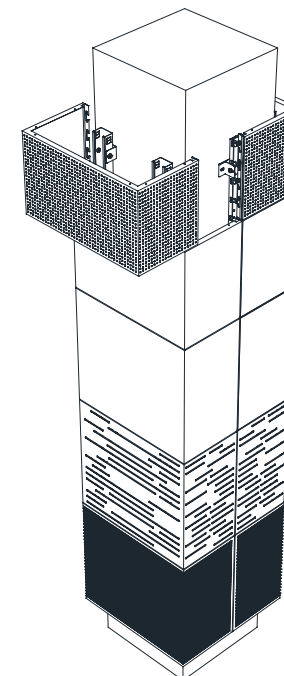
### SECTION DETAILS



## RAM 2021 SOLID PLAIN RAM 2022 PERFORATED

## RAM 2023 EXPANDED METAL MESH RAM 2024 ARCHITECTURAL FINISH

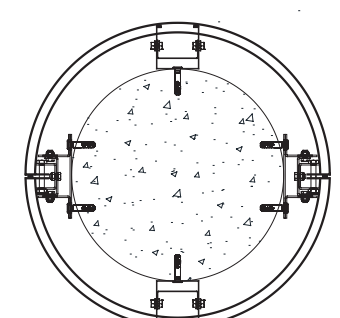
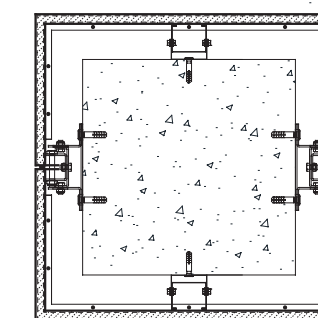
### ISOMETRIC DETAIL



### PANEL JOINT DETAILS



### SECTION DETAILS



# EXTERNAL METAL CLADDING

An ideal solution for external wall covering. Its strong structure is suitable for integrated TV screens, sign boards & speakers. Progressive accessibility. Offered in a wide range of designs, sizes, colors, perforations & finishes.



## 2110 Series EXTERNAL WALL COVERING

### FEATURES

#### MATERIAL / THICKNESS

Aluminum Alloy as per EN AW 3000 or 5000 series.  
Zinc Plated Galvanized Steel G90 grade.

#### THICKNESS

Aluminum (mm): 1.0–3.0  
+ Custom thickness are available upon request

#### SURFACE FINISH

Plain  
Perforated

#### SIZE

HEIGHT (mm): 300–1500  
LENGTH (mm): up to 3000

## 2120 Series EXTERNAL COLUMN COVERING

### FEATURES

#### MATERIAL / THICKNESS

Aluminum Alloy as per EN AW 3000 or 5000 series.  
Zinc Plated Galvanized Steel G90 grade.

#### THICKNESS

Aluminum (mm): 1.0–3.0  
+ Custom thickness are available upon request

#### SURFACE FINISH

Plain  
Perforated

#### SIZE

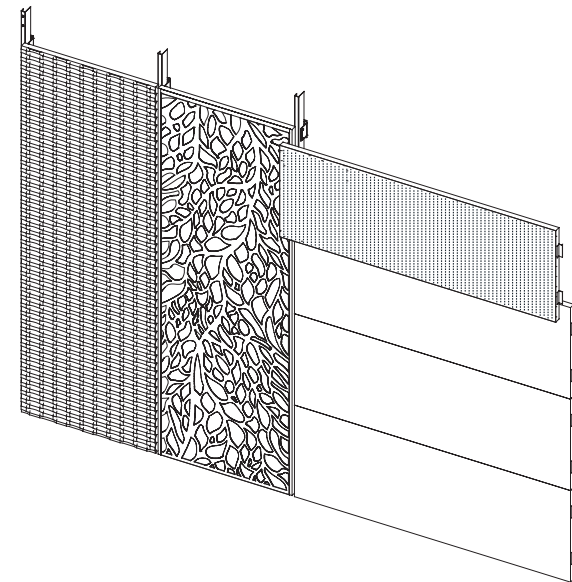
HEIGHT (mm): 300–1500  
LENGTH (mm): up to 3000



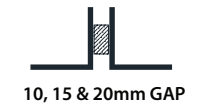
## RAM 2111 SOLID PLAIN RAM 2112 PERFORATED

## RAM 2113 EXPANDED METAL MESH RAM 2114 ARCHITECTURAL FINISH

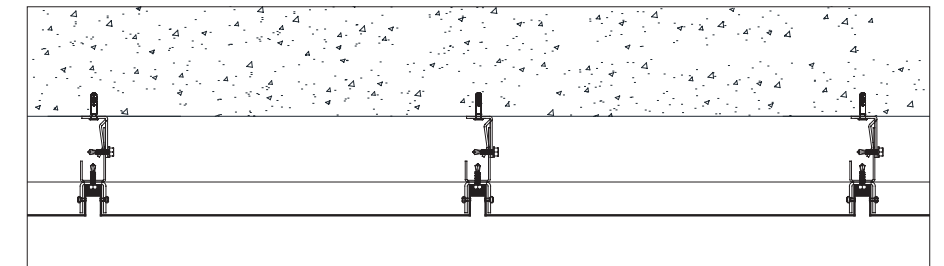
ISOMETRIC DETAIL



PANEL JOINT DETAIL



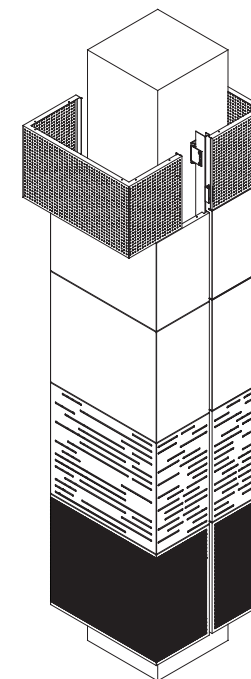
SECTION DETAILS



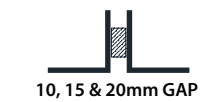
## RAM 2121 SOLID PLAIN RAM 2122 PERFORATED

## RAM 2123 EXPANDED METAL MESH RAM 2124 ARCHITECTURAL FINISH

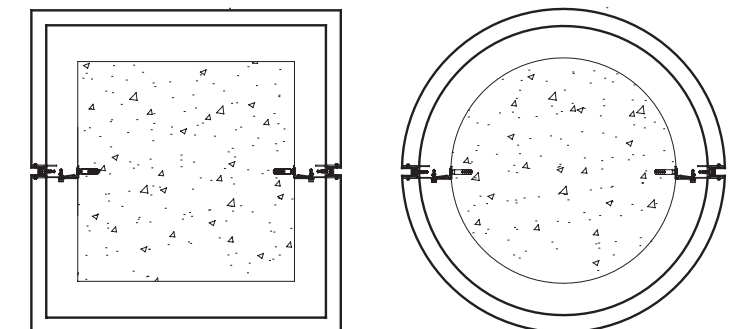
ISOMETRIC DETAIL



PANEL JOINT DETAIL



SECTION DETAILS



# BESPOKE WALL CLADDINGS

An open & no limitation design ceiling. Can be custom manufactured to architect specifications. Ideal for complex geometric sizes & shapes. Effective impact protection for high traffic areas. High Acoustic performance. It's strong structure is suitable for integrated TV screens, sign boards & speakers. Progressive accessibility with easy access for services & maintenance without any access tool. Offered in a wide range of designs, sizes, colors & finishes.



## 2210 Series BESPOKE WALL CLADDING

### FEATURES

#### MATERIAL / THICKNESS

Aluminum Alloy as per EN AW 3000 or 5000 series / 1.0 to 3.0mm  
Zinc Plated Galvanized Steel G90 grade / 1.0 to 3.0mm

#### SURFACE FINISH

Plain/Perforated

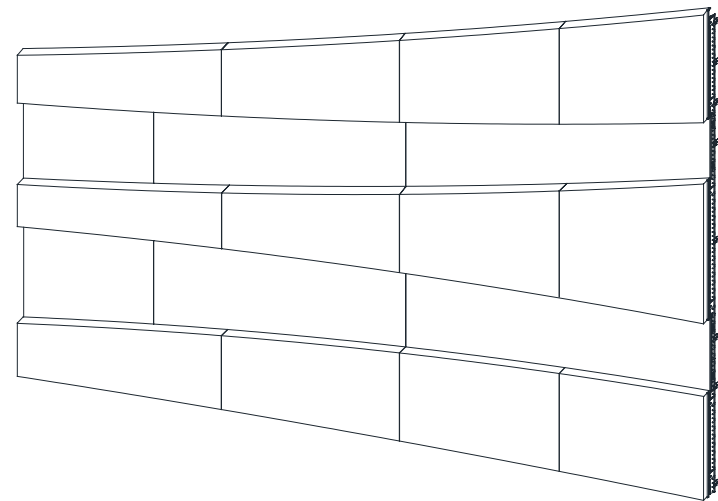
#### SIZE

WIDTH (mm): ≤2000  
LENGTH (mm):  
≤3000 (Aluminum)  
≤2000 (Galvanized Steel)



## RAM 2211 BESPOKE WALL PANEL

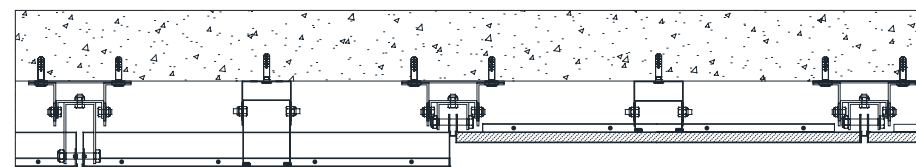
### ISOMETRIC DETAIL



### PANEL JOINT DETAIL



### SECTION DETAILS



# SHADE CONTROL

For a modern look and an ideal solution for light weight canopies. Structurally rigid, high quality paint with UV resistance. A hollow profile that reduces sunlight transmission. For use in parking, ground, stadium, & other open areas. Offered in a wide range of sizes, colors & finishes.

## 3010 Series SHADE CONTROL

### FEATURES

#### MATERIAL / THICKNESS

Aluminum Alloy as per EN AW 3000 or 5000 series / 0.5 to 0.6mm  
Zinc Plated Galvanized Steel G90 grade / 0.45 to 0.5mm

#### SURFACE FINISH

Plain

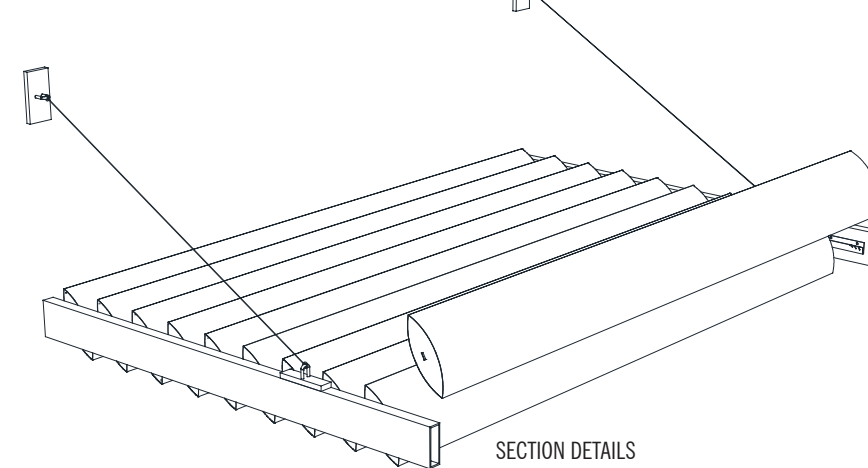
#### SIZE

HEIGHT (mm): 300  
WIDTH (mm): 100  
LENGTH (mm): 3000  
SPACING (mm): 50/100/150

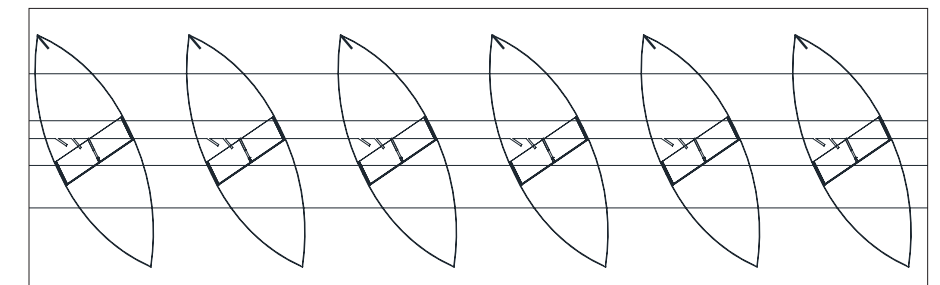


## RAM 3011 SHADE CONTROL

### ISOMETRIC DETAIL



### SECTION DETAILS





# ARCHITECTURAL ELEMENTS



# SURFACE DESIGN PATTERNS



# METAL BULKHEAD

Ideal for connecting ceilings with other building elements. Can be manufactured to integrate light fittings, AC grills, and other MEP services. Offered in a wide range of designs, sizes, colors & finishes.



## 5010 Series METAL BULKHEAD

### FEATURES

#### MATERIAL / THICKNESS

Aluminum Alloy as per EN AW 3000 or 5000 series / 0.6 to 3.0mm

Zinc Plated Galvanized Steel G90 grade / 0.6 to 3.0mm

#### SURFACE FINISH

Plain/Perforated

#### SIZE

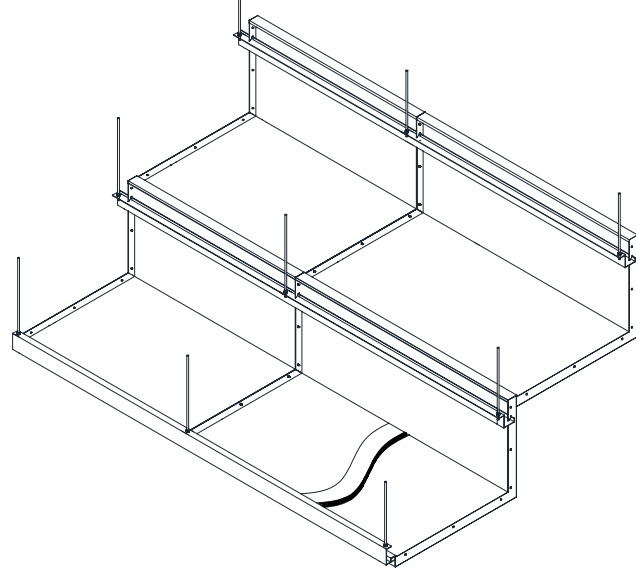
LENGTH (mm): ≤3000

WIDTH (mm): 300 to 1000

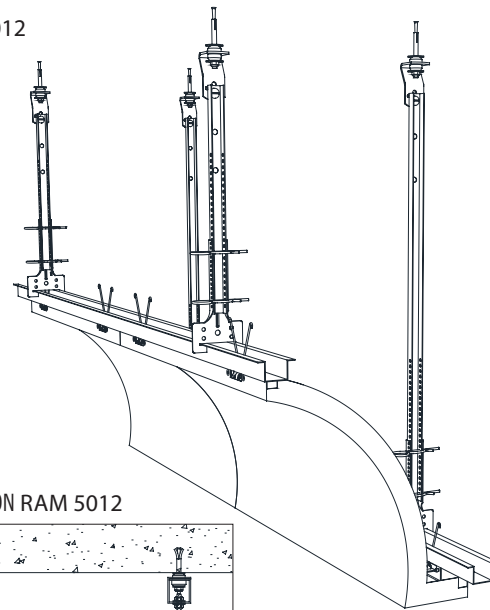


## RAM 5011 METAL BULKHEAD RAM 5012 CURVED METAL BULKHEAD

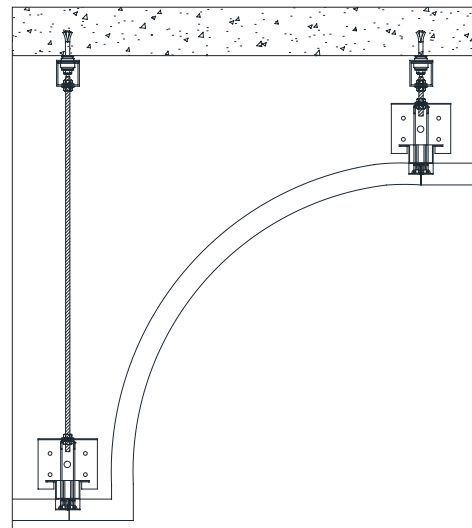
ISOMETRIC DETAIL RAM 5011



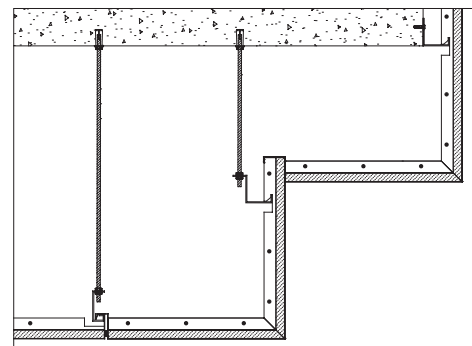
ISOMETRIC DETAIL RAM 5012



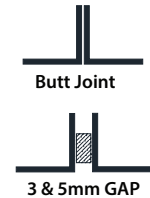
OPTIONAL HANGING SOLUTION RAM 5012



SECTION DETAIL RAM 5011

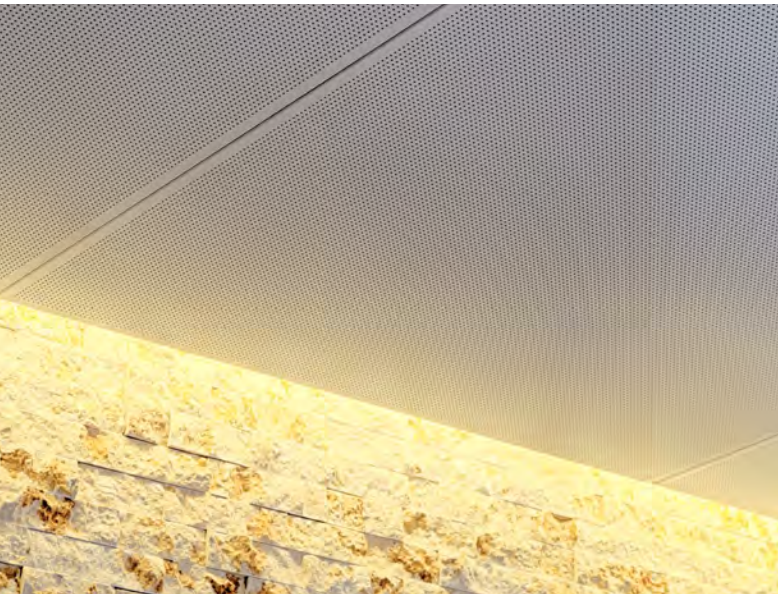


PANEL JOINT DETAIL



# METAL COVE LIGHT

Ideal for integrating light fixtures. Can be custom manufactured to architect specifications in a variety of shapes & depths for optimal light reflection. Offered in a wide range of designs, sizes, colors & finishes.



## 5110 Series BESPOKE

### FEATURES

#### MATERIAL / THICKNESS

Aluminum Alloy as per EN AW 3000 or 5000 series / 0.5 to 1.00mm  
Zinc Plated Galvanized Steel G90 grade / 0.5 to 1.00mm

#### SURFACE FINISH

Plain/Perforated

#### SIZE

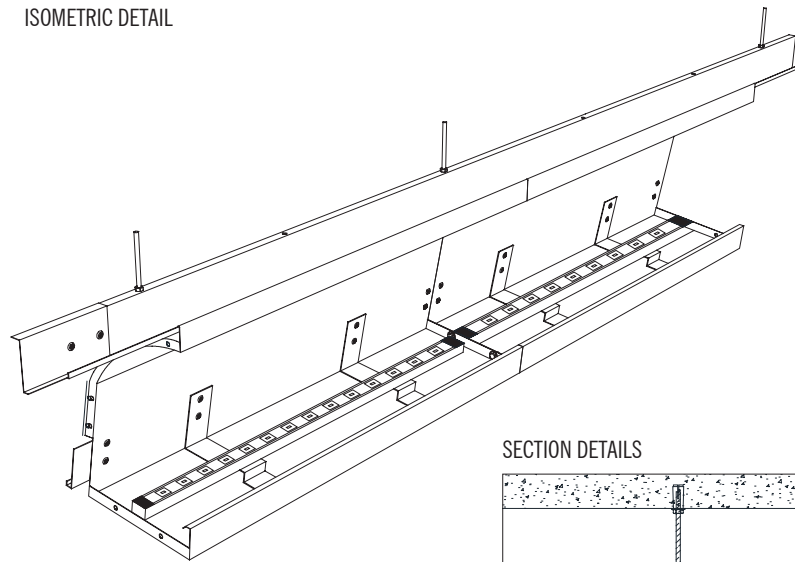
LENGTH (mm): ≤3000

WIDTH (mm): ≤300



## RAM 5111 METAL LIGHT REFLECTOR

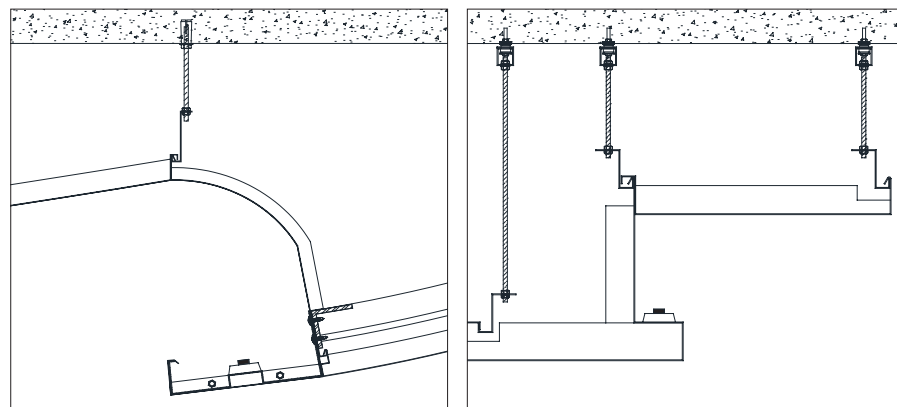
ISOMETRIC DETAIL



PANEL JOINT DETAIL



SECTION DETAILS



# METAL SKIRTING

Used for walls in a variety of finishes such as aluminium anodized, stainless steel, & powder coated aluminium. Can be manufactured in various heights & shapes. Offered in a wide range of designs, sizes, colors & finishes.

## 5210 Series METAL BULKHEAD

### FEATURES

#### MATERIAL / THICKNESS

Aluminum Alloy as per EN AW 3000 or 5000 series / 0.6 to 2.0mm  
Zinc Plated Galvanized Steel G90 grade / 0.6 to 2.0mm  
Stainless Steel grade SS304 or SS316L / 0.6 to 2.0mm

#### SURFACE FINISH

Plain

#### SIZE

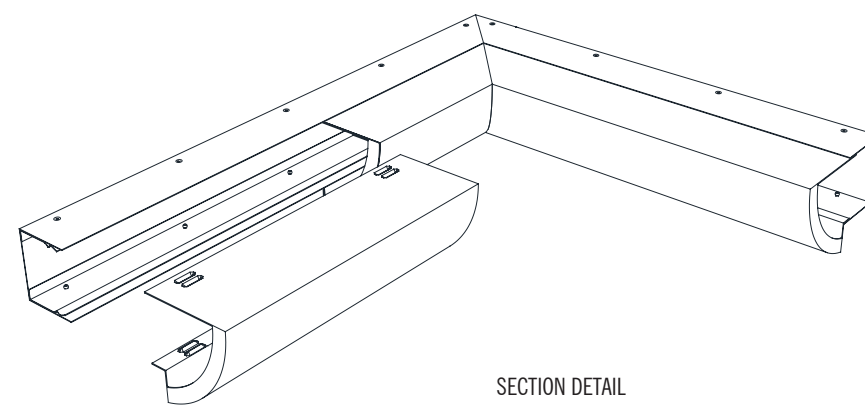
LENGTH (mm): ≤3000

WIDTH (mm): ≤300



## RAM 5211 METAL SKIRTING

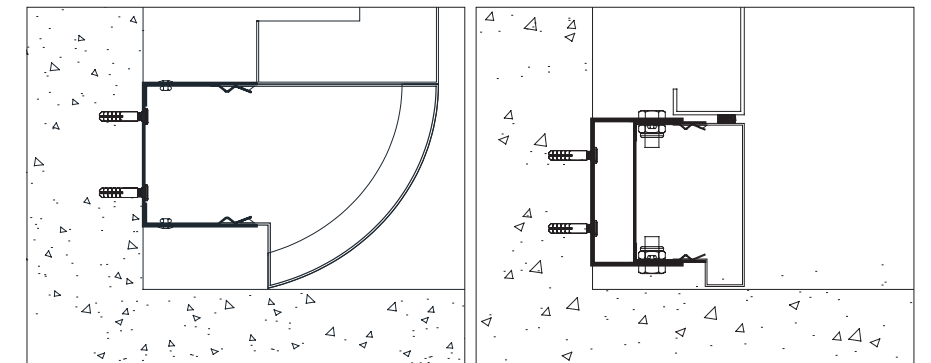
ISOMETRIC DETAIL



PANEL JOINT DETAIL



SECTION DETAIL



# PERFORATION PATTERNS

**RS 0750**  
 D- 0.7mm, P- 5mm  
 Open Area  $\approx$  1.5%

MATERIALS	THICKNESS (mm)
Steel	0.45 - 0.6
Aluminium	0.45 - 0.7
S.S.	

**RD 0840**  
 D- 0.8mm, P- 4mm,  
 Open Area  $\approx$  4%

MATERIALS	THICKNESS (mm)
Steel	
Aluminium	0.5 - 0.8
S.S.	

**RU 0840**  
 D- 0.8mm, P1- 4mm,  
 P2- 7mm  
 Open Area  $\approx$  3%

MATERIALS	THICKNESS (mm)
Steel	
Aluminium	0.5 - 0.8
S.S.	

**RD 1250**  
 D- 1.2mm, P- 5mm  
 Open Area  $\approx$  5%

MATERIALS	THICKNESS (mm)
Steel	
Aluminium	0.5 - 0.7
S.S.	

**RU 1250**  
 D - 1.2mm, P1- 5mm,  
 P2- 8.66mm  
 Open Area  $\approx$  3%

MATERIALS	THICKNESS (mm)
Steel	
Aluminium	0.5 - 0.8
S.S.	

**RD 1540**  
 D- 1.5mm, P- 4mm  
 Open Area  $\approx$  22%

MATERIALS	THICKNESS (mm)
Steel	0.5 - 0.7
Aluminium	0.5 - 1.5
S.S.	

**RS 1540**  
 D- 1.5mm, P- 4mm  
 Open Area  $\approx$  11%

MATERIALS	THICKNESS (mm)
Steel	0.5 - 0.7
Aluminium	0.5 - 1.5
S.S.	

**RD 1850**  
 D- 1.8mm, P- 5mm  
 Open Area  $\approx$  20%

MATERIALS	THICKNESS (mm)
Steel	0.5 - 0.9
Aluminium	0.5 - 1.5
S.S.	

**RS 1850**  
 D- 1.8mm, P- 5mm  
 Open Area  $\approx$  10%

MATERIALS	THICKNESS (mm)
Steel	0.5 - 0.9
Aluminium	0.5 - 1.5
S.S.	

**RD 2550**  
 D - 2.5mm, P- 5mm  
 Open Area  $\approx$  35%

MATERIALS	THICKNESS (mm)
Steel	0.5 - 0.9
Aluminium	0.5 - 2
S.S.	

+ We offer a wide range of custom designed perforation patterns. For any requirements & for more selection of Perforation Patterns, you can send your requirements to [contactus@rammetal.com](mailto:contactus@rammetal.com) or do your own selection from [www.schiavetti.it](http://www.schiavetti.it)

**RS 2550**  
D - 2.5mm, P - 5mm  
Open Area ≈ 20%

MATERIALS	THICKNESS (mm)
Steel	0.5 - 0.9
Aluminium	0.5 - 2
S.S.	

**RD 2516**  
D - 2.5mm, P - 6mm  
Open Area ≈ 16%

MATERIALS	THICKNESS (mm)
Steel	0.5 - 0.9
Aluminium	0.5 - 1.5
S.S.	

**RS 5013**  
D - 5mm, P - 13mm  
Open Area ≈ 12%

MATERIALS	THICKNESS (mm)
Steel	0.6 - 0.9
Aluminium	0.7 - 2
S.S.	

**RS 6010**  
D - 6mm, P - 10mm  
Open Area ≈ 28%

MATERIALS	THICKNESS (mm)
Steel	0.5 - 0.9
Aluminium	0.7 - 2
S.S.	

**RU 2560**  
D - 2.5mm, P1 - 6mm, P2 - 10.5mm  
Open Area ≈ 8%

MATERIALS	THICKNESS (mm)
Steel	0.5 - 0.9
Aluminium	0.5 - 1.5
S.S.	

**RD 2575**  
D - 2.5mm, P - 7.5mm  
Open Area ≈ 18%

MATERIALS	THICKNESS (mm)
Steel	0.5 - 0.9
Aluminium	0.5 - 1.5
S.S.	0.5 - 0.7

**SS 4080**  
C - 4mm, P - 8mm  
Open Area ≈ 25%

MATERIALS	THICKNESS (mm)
Steel	0.6 - 0.8
Aluminium	0.6 - 0.9
S.S.	

**SS 6012**  
C - 6mm, P1 - 12mm  
Open Area ≈ 25%

MATERIALS	THICKNESS (mm)
Steel	0.6 - 0.8
Aluminium	0.6 - 0.9
S.S.	

**RS 2575**  
D - 2.5mm, P - 7.5mm  
Open Area ≈ 9%

MATERIALS	THICKNESS (mm)
Steel	0.5 - 0.9
Aluminium	0.5 - 1.5
S.S.	0.5 - 0.7

**RD 3090**  
D - 3mm, P - 9mm  
Open Area ≈ 18%

MATERIALS	THICKNESS (mm)
Steel	0.5 - 0.9
Aluminium	0.5 - 2
S.S.	

**RES 6017**  
W - 7mm, L - 60mm, P - 17mm

MATERIALS	THICKNESS (mm)
Steel	0.5 - 0.8
Aluminium	0.7 - 1.2
S.S.	

**RS 3090**  
D - 3mm, P - 9mm  
Open Area ≈ 9%

MATERIALS	THICKNESS (mm)
Steel	0.5 - 0.9
Aluminium	0.5 - 2
S.S.	

**RS 3019**  
D - 3mm, P1 - 9mm, P2 - 10mm  
Open Area ≈ 8%

MATERIALS	THICKNESS (mm)
Steel	0.6 - 0.9
Aluminium	0.7 - 2
S.S.	

**RS 4016**  
D - 4mm, P - 16mm  
Open Area ≈ 5%

MATERIALS	THICKNESS (mm)
Steel	0.5 - 0.9
Aluminium	0.5 - 1.5
S.S.	

**RD 4016**  
D - 4mm, P - 16mm  
Open Area ≈ 10%

MATERIALS	THICKNESS (mm)
Steel	0.5 - 0.9
Aluminium	0.5 - 1.5
S.S.	

+ We offer a wide range of custom designed perforation patterns. For any requirements & for more selection of Perforation Patterns, you can send your requirements to [contactus@rammetal.com](mailto:contactus@rammetal.com) or do your own selection from [www.schiavetti.it](http://www.schiavetti.it)

# EXPANDED METAL MESH PATTERNS



## WALL CLADDINGS

<p><b>DIAMOND</b></p> <table border="1"> <tr><td>A</td><td>9mm</td></tr> <tr><td>CD</td><td>26mm</td></tr> <tr><td>LD</td><td>62mm</td></tr> </table>	A	9mm	CD	26mm	LD	62mm	<p><b>SCREEN</b></p> <table border="1"> <tr><td>A</td><td>24mm</td></tr> <tr><td>CD</td><td>52mm</td></tr> <tr><td>LD</td><td>112mm</td></tr> </table>	A	24mm	CD	52mm	LD	112mm
A	9mm												
CD	26mm												
LD	62mm												
A	24mm												
CD	52mm												
LD	112mm												
<p><b>OLYMPIC</b></p> <table border="1"> <tr><td>A</td><td>33mm</td></tr> <tr><td>CD</td><td>80mm</td></tr> <tr><td>LD</td><td>200mm</td></tr> </table>	A	33mm	CD	80mm	LD	200mm	<p><b>HEXA</b></p> <table border="1"> <tr><td>A</td><td>5mm</td></tr> <tr><td>CD</td><td>13.5mm</td></tr> <tr><td>LD</td><td>45mm</td></tr> </table>	A	5mm	CD	13.5mm	LD	45mm
A	33mm												
CD	80mm												
LD	200mm												
A	5mm												
CD	13.5mm												
LD	45mm												
<p><b>ALICE</b></p> <table border="1"> <tr><td>A</td><td>15mm</td></tr> <tr><td>CD</td><td>35mm</td></tr> <tr><td>LD</td><td>225mm</td></tr> </table>	A	15mm	CD	35mm	LD	225mm	<p><b>MARINA</b></p> <table border="1"> <tr><td>A</td><td>21.5mm</td></tr> <tr><td>CD</td><td>56mm</td></tr> <tr><td>LD</td><td>150mm</td></tr> </table>	A	21.5mm	CD	56mm	LD	150mm
A	15mm												
CD	35mm												
LD	225mm												
A	21.5mm												
CD	56mm												
LD	150mm												
<p><b>PISA</b></p> <table border="1"> <tr><td>A</td><td>20mm</td></tr> <tr><td>CD</td><td>48mm</td></tr> <tr><td>LD</td><td>110mm</td></tr> </table>	A	20mm	CD	48mm	LD	110mm	<p><b>ROUNDEX</b></p> <table border="1"> <tr><td>A</td><td>6mm</td></tr> <tr><td>CD</td><td>20mm</td></tr> <tr><td>LD</td><td>30mm</td></tr> </table>	A	6mm	CD	20mm	LD	30mm
A	20mm												
CD	48mm												
LD	110mm												
A	6mm												
CD	20mm												
LD	30mm												

+ We offer a wide range of expanded metal mesh patterns. For any requirements & for more selection of Patterns, you can send your requirements to [contactus@rammetal.com](mailto:contactus@rammetal.com) or do your own selection from [www.rgs.it](http://www.rgs.it)



## FALSE CEILINGS

<p><b>MR 16x8</b></p> <table border="1"> <tr> <td>A</td> <td>1mm</td> <td>1.4mm</td> <td>2.5mm</td> </tr> <tr> <td>CD</td> <td colspan="3">8mm</td> </tr> <tr> <td>LD</td> <td colspan="3">16mm</td> </tr> </table>	A	1mm	1.4mm	2.5mm	CD	8mm			LD	16mm			<p><b>MR 29x10</b></p> <table border="1"> <tr> <td>A</td> <td>1.5mm</td> </tr> <tr> <td>CD</td> <td>10mm</td> </tr> <tr> <td>LD</td> <td>29mm</td> </tr> </table>	A	1.5mm	CD	10mm	LD	29mm
A	1mm	1.4mm	2.5mm																
CD	8mm																		
LD	16mm																		
A	1.5mm																		
CD	10mm																		
LD	29mm																		
<p><b>MR 32x12</b></p> <table border="1"> <tr> <td>A</td> <td>1.5mm</td> <td>2mm</td> </tr> <tr> <td>CD</td> <td colspan="2">12mm</td> </tr> <tr> <td>LD</td> <td colspan="2">32mm</td> </tr> </table>	A	1.5mm	2mm	CD	12mm		LD	32mm		<p><b>MQS 40x30</b></p> <table border="1"> <tr> <td>A</td> <td>3mm</td> </tr> <tr> <td>CD</td> <td>30mm</td> </tr> <tr> <td>LD</td> <td>40mm</td> </tr> </table>	A	3mm	CD	30mm	LD	40mm			
A	1.5mm	2mm																	
CD	12mm																		
LD	32mm																		
A	3mm																		
CD	30mm																		
LD	40mm																		
<p><b>MTS 10 Ø5</b></p> <table border="1"> <tr> <td>A</td> <td>1.7mm</td> <td>1.8mm</td> </tr> <tr> <td>CD</td> <td colspan="2">10mm</td> </tr> <tr> <td>LD</td> <td colspan="2">10mm</td> </tr> </table>	A	1.7mm	1.8mm	CD	10mm		LD	10mm		<p><b>ME 46x16</b></p> <table border="1"> <tr> <td>A</td> <td>2.5MM</td> <td>3mm</td> </tr> <tr> <td>CD</td> <td colspan="2">16mm</td> </tr> <tr> <td>LD</td> <td colspan="2">46mm</td> </tr> </table>	A	2.5MM	3mm	CD	16mm		LD	46mm	
A	1.7mm	1.8mm																	
CD	10mm																		
LD	10mm																		
A	2.5MM	3mm																	
CD	16mm																		
LD	46mm																		
<p><b>ME 62x13</b></p> <table border="1"> <tr> <td>A</td> <td>2.5mm</td> </tr> <tr> <td>CD</td> <td>13mm</td> </tr> <tr> <td>LD</td> <td>62mm</td> </tr> </table>	A	2.5mm	CD	13mm	LD	62mm	<p><b>30 DK 30x12.5</b></p> <table border="1"> <tr> <td>A</td> <td>4.5mm</td> </tr> <tr> <td>CD</td> <td>12.5mm</td> </tr> <tr> <td>LD</td> <td>30mm</td> </tr> </table>	A	4.5mm	CD	12.5mm	LD	30mm						
A	2.5mm																		
CD	13mm																		
LD	62mm																		
A	4.5mm																		
CD	12.5mm																		
LD	30mm																		

+ We offer a wide range of expanded metal mesh patterns. For any requirements & for more selection of Patterns, you can send your requirements to [contactus@rammetal.com](mailto:contactus@rammetal.com) or do your own selection from [www.rgs.it](http://www.rgs.it)

# RAL COLORS

 RAL 1013	 RAL 1015	 RAL 1019	 RAL 5001
 RAL 5002	 RAL 5007	 RAL 5018	 RAL 5024
 RAL 6025	 RAL 7003	 RAL 7008	 RAL 7021
 RAL 7035	 RAL 7045	 RAL 8001	 RAL 8008

 RAL 9001	 RAL 9002	 RAL 9003	 RAL 9005
 RAL 9006	 RAL 9007	 RAL 9010	 RAL 9016
 RAL 9017	 RAL 1035	 RAL 1036	 RAL 5025
 RAL 5026	 RAL 7048	 RAL 9022	 RAL 9023

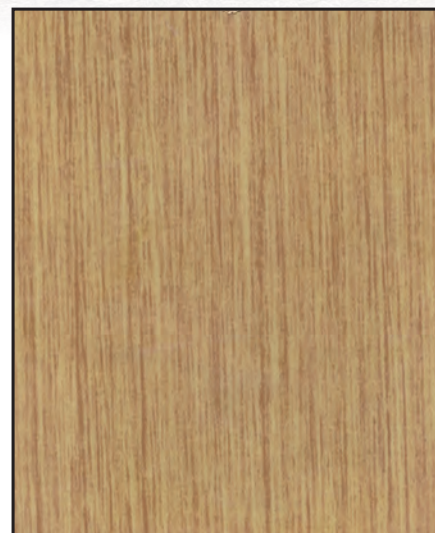
This color card is to be used as an indication only.  
For special color requirements and accurate assessment, please contact us at [contactus@rammetal.com](mailto:contactus@rammetal.com)



# WOOD FINISHES



WDF 1001



WDF 1002



WDF 1003



WDF 1007



WDF 1008



WDF 1009



WDF 1004



WDF 1005



WDF 1006



WDF 1010



WDF 1011



WDF 1012

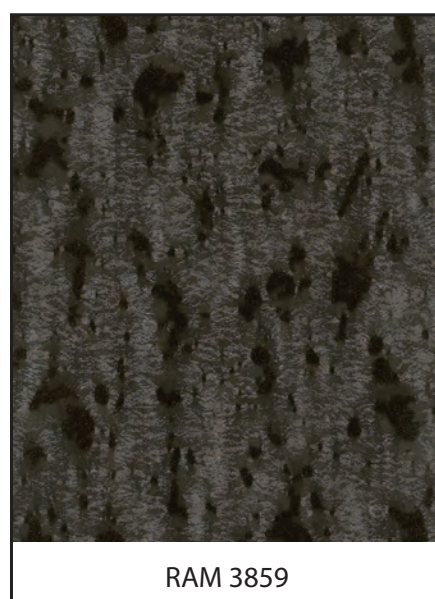
This color card is to be used as an indication only.  
For special color requirements and accurate assessment, please contact us at [contactus@rammetal.com](mailto:contactus@rammetal.com)

# ARCHITECTURAL FINISHES

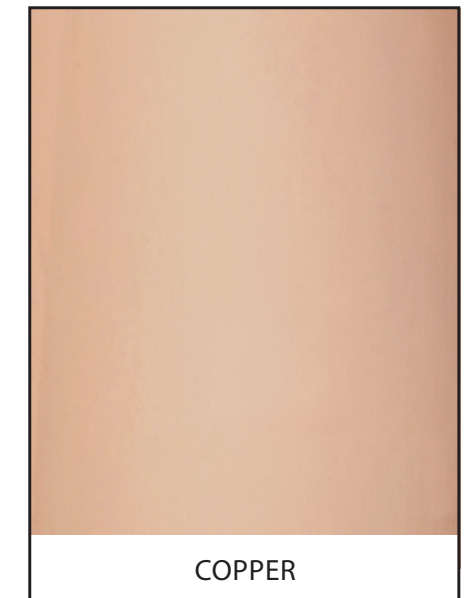
## STAINLESS STEEL FINISHES



## SPECIAL FINISHES



## ANODIZED ALUMINUM FINISHES



This color card is to be used as an indication only.  
For special color requirements and accurate assessment, please contact us at [contactus@rammetal.com](mailto:contactus@rammetal.com)

# DATA/PERFORMANCE



## ACOUSTICS

Tested as per BS EN ISO 354: 2003 for sound absorption, noise reduction and sound attenuation.

Maximum NRC achieved with Acoustic Black fleece – NRC 0.75

Maximum NRC achieved with Acoustic Black Fleece and Rock-wool Insulation- NRC 1.00

Tested as per ASTM E1414-11a for Airborne Sound Attenuation as per ISO 10848-2.

Maximum CAC can achieved up to — 48 dB

Perforated & Sound Attenuation cover



## WIND RESISTANCE

Tested as per ASTM E330-02

Complies with CWCT Sec 1,12:2005

Wind Resistance—Serviceability & Safety, Test Report Ref: TBWIC/RH128

Air Permeability

Complies with CWCT Sec 5:2005 Air Leakage, Test Report Ref: TBWIC/RH128



## ANTI BACTERIAL COATING

Tested as per JIS Z 2801: 2000, which inhibits the growth of bacteria on the applied surface.



## LIGHT REFLECTANCE (LR)

Achieved by the metal ceiling is LR- 0.85-0.96 tested as per ASTM E 1477.



## WATER RESISTANCE

Complies with CWCT Sec 6,7:2005 Water Penetration – Static Method & Dynamic Aero Engine Test, Test Report Ref: TBWIC/RH128



## IGNITION PERFORMANCE FOR PLASTICS

Complies with ASTM D1929-16 Standard Test Method for Determining Ignition Temperature of Plastics, Test Report Ref: Intertek/103416370MID-001



## FIRE PERFORMANCE

Surface Spread of flame Class 1 tested as per BS 476: Part 7: 1997

“Non-Combustible” Material tested as per BS 476: Part4: 1970

Flame Spread and Smoke Development Index tested as per ASTM E84 (Class 1 or A)

Complies with NFPA 285-2012 Standard Fire Test Method for Evaluation of Fire Propagation Characteristics of Exterior Non-Load-Bearing Wall Assemblies Containing Combustible Components, Test Report Ref: TBWIC/RK094 (Rev.01)



## FIRE RESISTANCE

Fire Rated tested as per BS476 : Part 23: 1987 Fire tests on building materials and structures. Methods for determination of the contribution of components to the fire resistance of a structure



## SECURITY

Complies with ASTM F2322 standards for physical assault on vertical fixed barriers for detention and correctional facilities



CONTACT US

[www.rammetal.com](http://www.rammetal.com)

**HEAD OFFICE**

DUBAI INDUSTRIAL CITY  
DUBAI, U.A.E.

T: +971 4 451 8884  
F: +971 4 454 7073

[contactus@rammetal.com](mailto:contactus@rammetal.com)